



**POLARIS®**

**The Way Out.**

## **Parts Manual**

**2003**

### **CLASSIC CRUISER**

**Model #V03CB16CA/CB/CC/CD**

**Model #V03CB16DA/DB/DC/DD**

**Model #V03CB16LA/LB/LC/LD**

**Model #V03CB16UA/UB/UC/UD**

**Rev. 01**

## TABLE OF CONTENTS

### Classic Cruiser V03CB16(CA)(CB)(CC)(CD)(DA)(DB)(DC)(DD)(LA)(LB)(LC)(LD)(UA)(UB)(UC)(UD) Parts Manual

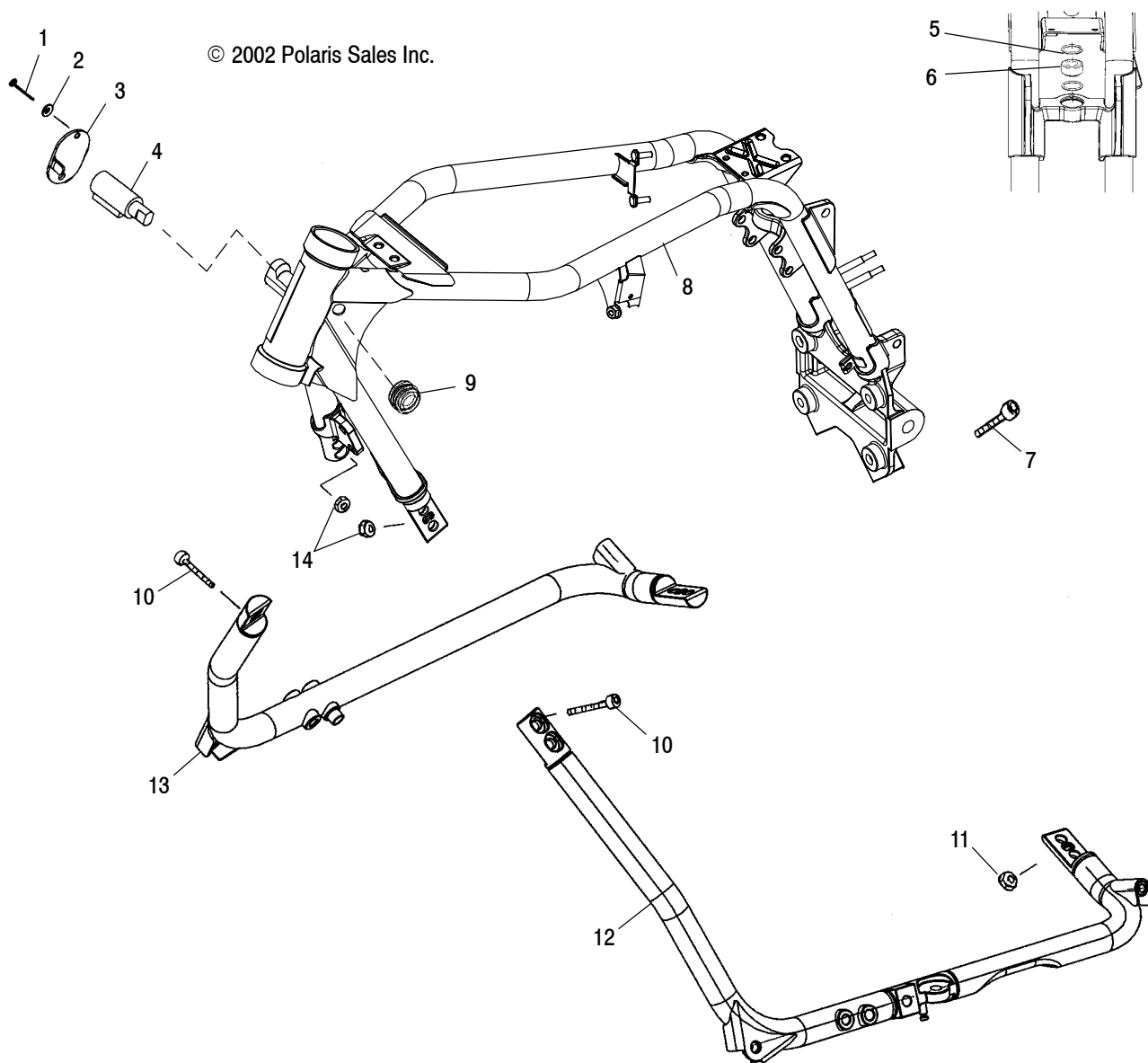
<p style="text-align: center;"><b>A</b></p> <p>AIR BOX ..... C6</p> <p style="text-align: center;"><b>B</b></p> <p>BATTERY BOX ..... B9</p> <p style="text-align: center;"><b>C</b></p> <p>CAM and VALVE COVERS ..... C14</p> <p>CAMCHAIN and TENSIONER ..... C13</p> <p>CRANKCASE ..... C9</p> <p>CRANKCASE BEARINGS ..... C10</p> <p>CRANKSHAFT ..... C8</p> <p>CYLINDER and HEAD ..... C11</p> <p style="text-align: center;"><b>D</b></p> <p>DECALS ..... B11</p> <p>DRIVE CLUTCH ..... D7</p> <p style="text-align: center;"><b>E</b></p> <p>ECM BOX ..... B10</p> <p>ELECTRICAL ..... B14-C1</p> <p>ENGINE MOUNTING ..... C7</p> <p>EXHAUST SYSTEM ..... C4</p> <p style="text-align: center;"><b>F</b></p> <p>FLOOR BOARD and SIDE STAND .... A6</p> <p>FRONT BRAKE ..... B6</p> <p>FRONT DRIVE SPROCKET ..... C5</p> <p>FRONT FENDER ..... A11</p> <p>FRONT FORKS ..... A10</p> <p>FRONT TURN SIGNAL ..... B4</p> <p>FRONT WHEEL (CAST) ..... A12</p> <p>FRONT WHEEL (LACED) ..... A13</p> <p>FUEL SYSTEM ..... D8</p> <p style="text-align: center;"><b>H</b></p> <p>HANDLEBAR ..... A8</p> <p>HEADLIGHT ..... B2</p>	<p style="text-align: center;"><b>I</b></p> <p>IGNITION ASM. .... C2</p> <p style="text-align: center;"><b>M</b></p> <p>MAIN FRAME ..... A3</p> <p style="text-align: center;"><b>O</b></p> <p>OIL COOLING ..... C3</p> <p>OIL PUMP ..... D2</p> <p>OIL PUMP MOUNTING ..... D1</p> <p>OWNER'S MANUAL ..... D10</p> <p style="text-align: center;"><b>P</b></p> <p>PRIMARY COVER ..... D4</p> <p>PRIMARY DRIVE ..... D3</p> <p style="text-align: center;"><b>R</b></p> <p>REAR BRAKE ..... B7</p> <p>REAR SHOCK ..... B8</p> <p>REAR TURN SIGNAL ..... B5</p> <p>REAR WHEEL (CAST) ..... A14</p> <p>REAR WHEEL (LACED) ..... B1</p> <p style="text-align: center;"><b>S</b></p> <p>SADDLEBAG/BACKREST ..... B13</p> <p>SEAT and REAR FENDER ..... B12</p> <p>SHIFT FORKS/DRUM ..... D5</p> <p>SHIFT LEVER ..... A7</p> <p>STARTER MOTOR ..... D9</p> <p>SUBFRAME ..... A4</p> <p>SWING ARM ..... A5</p> <p style="text-align: center;"><b>T</b></p> <p>TAILLIGHT ..... B3</p> <p>TRANSMISSION ..... D6</p> <p style="text-align: center;"><b>V</b></p> <p>VALVE TRAIN ..... C12</p> <p style="text-align: center;"><b>W</b></p> <p>WINDSHIELD ..... A9</p>
--	--

The illustrations used in this Parts Manual are for reference to replacement parts only. This manual is not to be used for assembly.

# MAIN FRAME

CLASSIC CRUISER V03CB16CA and CLASSIC CRUISER V03CB16CB and CLASSIC CRUISER V03CB16CC and CLASSIC CRUISER V03CB16CD and CLASSIC CRUISER V03CB16DA and CLASSIC CRUISER V03CB16DB and CLASSIC CRUISER V03CB16DC and CLASSIC CRUISER V03CB16DD and CLASSIC CRUISER V03CB16LA and CLASSIC CRUISER V03CB16LB and CLASSIC CRUISER V03CB16LC and CLASSIC CRUISER V03CB16LD and CLASSIC CRUISER V03CB16UA and CLASSIC CRUISER V03CB16UB and CLASSIC CRUISER V03CB16UC and CLASSIC CRUISER V03CB16UD

© 2002 Polaris Sales Inc.



Part numbers may have changed since this microfiche was issued. To ensure that correct parts are received, refer to PartSmart, which is updated monthly.

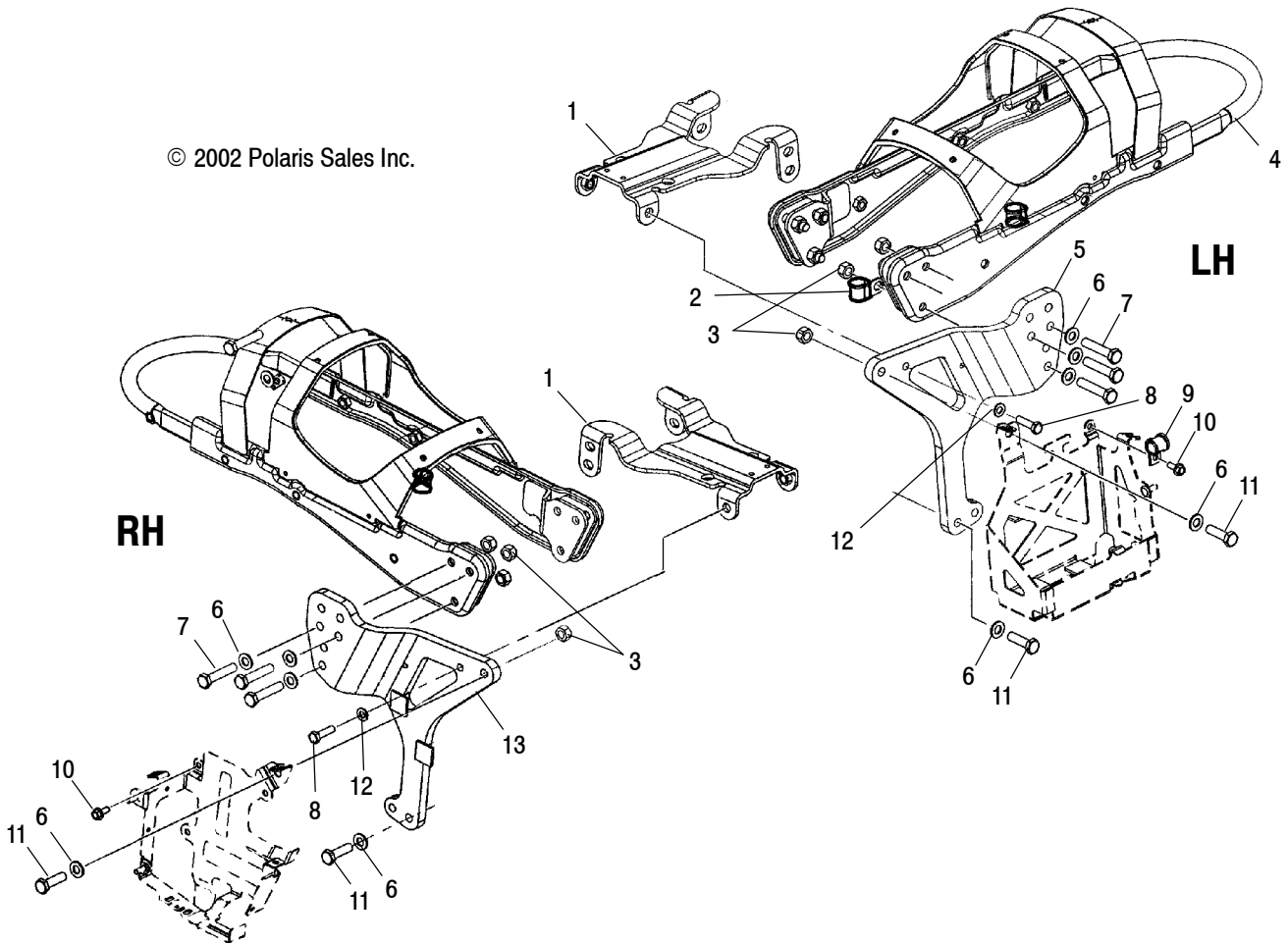
Ref.	Part No.	Qty.	Description
1	7661027	1	Pin, Knurled
2	7571637	1	Washer, Wave
3	5242202	1	Cap, Fork Lock
4	-----	1	Lock, Front Fork (See Ignition Asm. Pg. C2, Ref. 10)
5	7710446	1	Ring, Retaining
6	3513506	1	Bearing, Spherical
7	7518123	4	Screw
8	1013490-067	1	Frame, Main, Black
	1013490-385	1	Frame, Main, Silver

Ref.	Part No.	Qty.	Description
9	5411472	1	Grommet, Head Casting
10	7518057	4	Screw (Black)
	7518123	4	Screw (Silver)
11	7547239	4	Nut (Silver)
12	1013481-067	1	Tube, Frame, Lower, Black, LH
	1013481-385	1	Tube, Frame, Lower, Silver, LH
13	1013482-067	1	Tube, Frame, Lower, Black, RH
	1013482-385	1	Tube, Frame, Lower, Silver, RH
14	7547039	4	Nut (Black)
	7547239	4	Nut (Silver)

# SUBFRAME

CLASSIC CRUISER V03CB16CA and CLASSIC CRUISER V03CB16CB and CLASSIC CRUISER V03CB16CC and CLASSIC CRUISER V03CB16CD and CLASSIC CRUISER V03CB16DA and CLASSIC CRUISER V03CB16DB and CLASSIC CRUISER V03CB16DC and CLASSIC CRUISER V03CB16DD and CLASSIC CRUISER V03CB16LA and CLASSIC CRUISER V03CB16LB and CLASSIC CRUISER V03CB16LC and CLASSIC CRUISER V03CB16LD and CLASSIC CRUISER V03CB16UA and CLASSIC CRUISER V03CB16UB and CLASSIC CRUISER V03CB16UC and CLASSIC CRUISER V03CB16UD

© 2002 Polaris Sales Inc.



Part numbers may have changed since this microfiche was issued. To ensure that correct parts are received, refer to PartSmart, which is updated monthly.

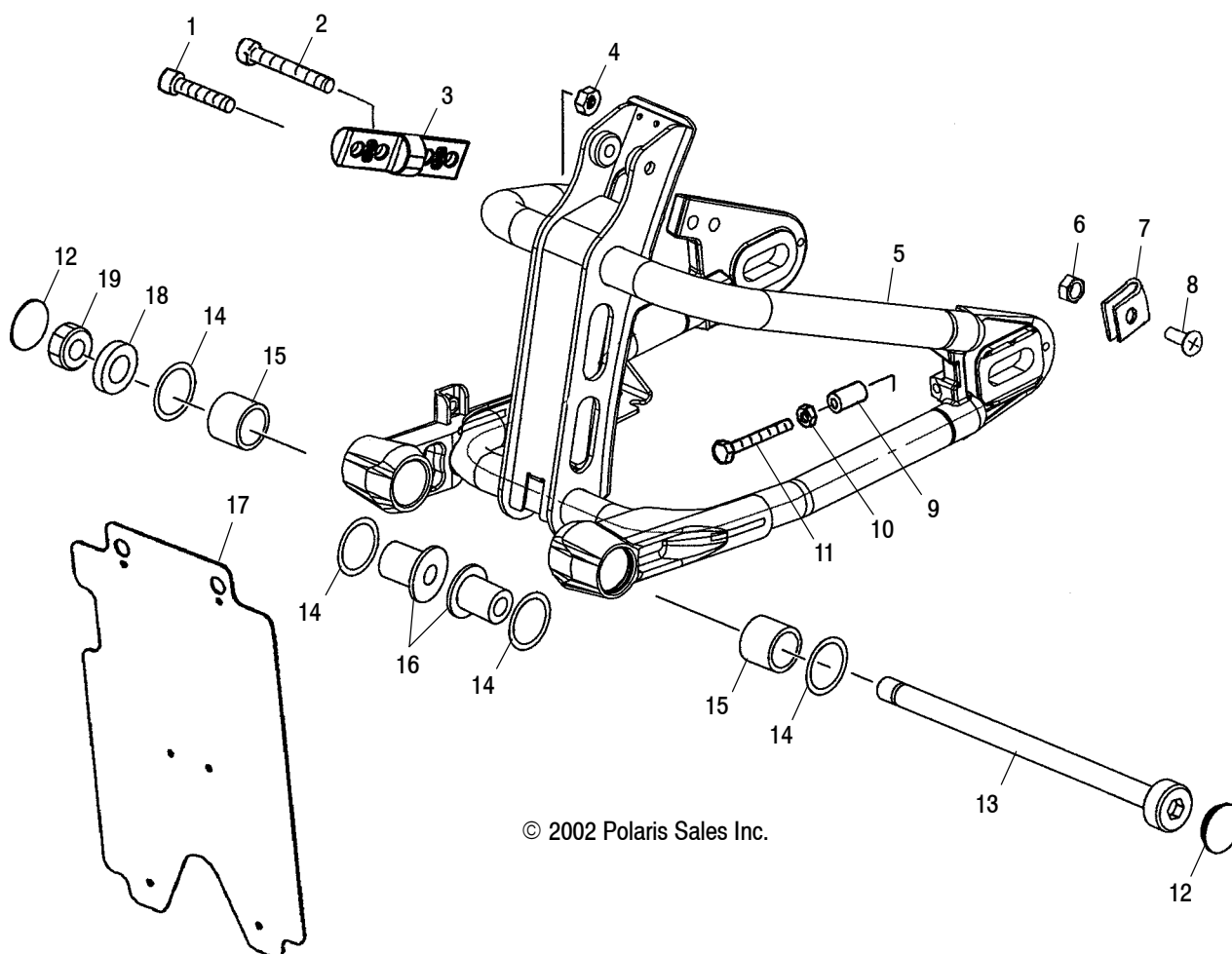
Ref. Part No.	Qty.	Description
1	1	Cover, Subframe, Black
1012961-385	1	Cover, Subframe, Silver
2	1	Clamp, Rubber Coated
3	8	Nut
4	1	Subframe, Rear, Black
1012953-385	1	Subframe, Rear, Silver
5	1	Subframe, Black, LH
5244574-385	1	Subframe, Silver, LH
6	10	Washer

Ref. Part No.	Qty.	Description
7	6	Screw
8	2	Screw
9	1	Clamp, Vinyl Coated
10	2	Screw
11	4	Screw
12	2	Washer, Flat
13	1	Subframe, Black, RH
5244575-385	1	Subframe, Silver, RH

8/02

## SWING ARM

CLASSIC CRUISER V03CB16CA and CLASSIC CRUISER V03CB16CB and CLASSIC CRUISER V03CB16CC and CLASSIC CRUISER V03CB16CD and CLASSIC CRUISER V03CB16DA and CLASSIC CRUISER V03CB16DB and CLASSIC CRUISER V03CB16DC and CLASSIC CRUISER V03CB16DD and CLASSIC CRUISER V03CB16LA and CLASSIC CRUISER V03CB16LB and CLASSIC CRUISER V03CB16LC and CLASSIC CRUISER V03CB16LD and CLASSIC CRUISER V03CB16UA and CLASSIC CRUISER V03CB16UB and CLASSIC CRUISER V03CB16UC and CLASSIC CRUISER V03CB16UD



© 2002 Polaris Sales Inc.

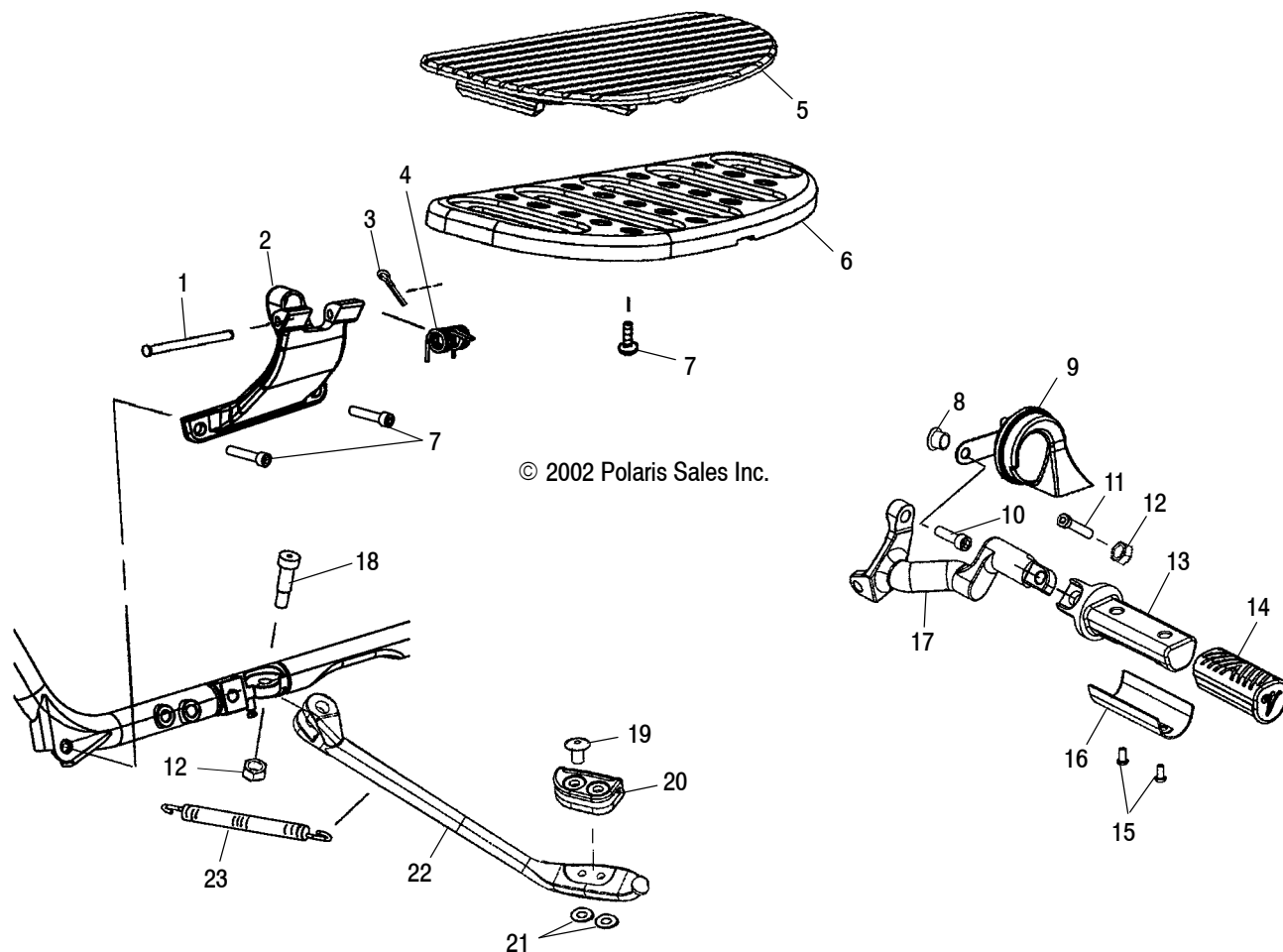
Part numbers may have changed since this microfiche was issued. To ensure that correct parts are received, refer to PartSmart, which is updated monthly.

Ref.	Part No.	Qty.	Description
1	7518057	2	Screw (Black)
	7518123	2	Screw (Silver)
2	7518058	2	Screw (Black)
	7518131	2	Screw (Silver)
3	1013255-067	1	Link, Removable, Black
	1013255-385	1	Link, Removable, Silver
4	7547039	2	Nut (Black)
	7547239	2	Nut (Silver)
5	1013405-067	1	Arm, Swing, Black
	1013405-385	1	Arm, Swing, Silver
6	7547120	1	Nut
7	7080983	1	Clamp, Brake, Rear
8	7517705	1	Screw

Ref.	Part No.	Qty.	Description
9	5131908	2	Spacer, Swing Arm Alignment
10	7547076	2	Nut
11	7517508	2	Screw
12	5132481-156	2	Cap, Swing Arm Pivot, Chrome
13	1013183	1	Shaft, Swing Arm Pivot
14	5411367	4	O-Ring
15	5432767	2	Bushing, Swing Arm
16	5010445	2	Sleeve, Swing Arm
17	1013253	1	Flap, Debris
18	7556021	2	Washer
19	7547048	1	Nut, FLEXLOC

## FLOORBOARD and SIDE STAND

CLASSIC CRUISER V03CB16CA and CLASSIC CRUISER V03CB16CB and CLASSIC CRUISER V03CB16CC and CLASSIC CRUISER V03CB16CD and CLASSIC CRUISER V03CB16DA and CLASSIC CRUISER V03CB16DB and CLASSIC CRUISER V03CB16DC and CLASSIC CRUISER V03CB16DD and CLASSIC CRUISER V03CB16LA and CLASSIC CRUISER V03CB16LB and CLASSIC CRUISER V03CB16LC and CLASSIC CRUISER V03CB16LD and CLASSIC CRUISER V03CB16UA and CLASSIC CRUISER V03CB16UB and CLASSIC CRUISER V03CB16UC and CLASSIC CRUISER V03CB16UD



Part numbers may have changed since this microfiche was issued. To ensure that correct parts are received, refer to PartSmart, which is updated monthly.

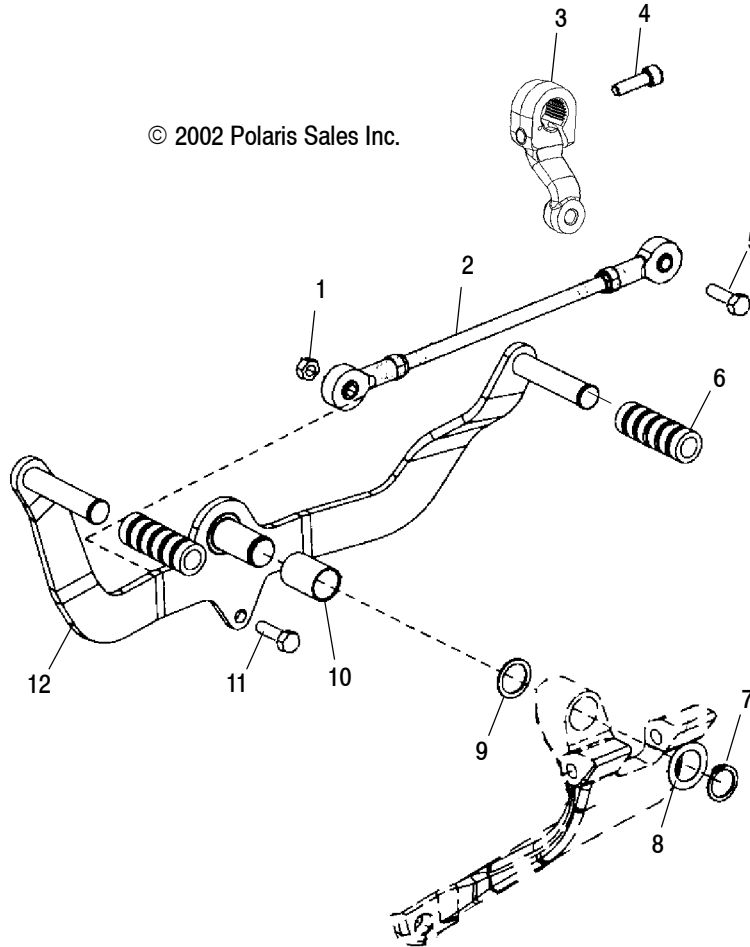
Ref.	Part No.	Qty.	Description
1	7661095	2	Pin, Floorboard Support
2	5132429-067	1	Support, Floorboard, Black, LH
	5132429-385	1	Support, Floorboard, Silver, LH
	5132430-067	1	Support, Floorboard, Black, RH
	5132430-385	1	Support, Floorboard, Silver, RH
3	7661094	2	Pin, Cotter
4	7041623	2	Spring, Floorboard Support
5	5412025	1	Pad, Floorboard, LH
	5412026	1	Pad, Floorboard, RH
6	5132228	1	Floorboard, LH
	5132229	1	Floorboard, RH
7	7517694	2	Screw, Acorn
8	5132658	1	Spacer
9	4010688	1	Horn
10	7518153	1	Screw (LH Side)
	7518123	1	Screw (RH Side)
11	7517525	2	Screw

Ref.	Part No.	Qty.	Description
12	7547039	3	Nut
13	5132303	1	Footpeg, Passenger, LH
	5132304	1	Footpeg, Passenger, RH
14	5411333	1	Pad, Footpeg, Passenger, LH
	5411334	1	Pad, Footpeg, Passenger, RH
15	7517767	4	Screw
16	5243767-067	2	Cover, Footpeg
17	5244041-067	1	Support, Footpeg, Passenger, LH
	5244042-067	1	Support, Footpeg, Passenger, RH
18	7517404	1	Screw
19	7661064	2	Rivet
20	5411745	1	Pad, Side Stand
21	7556121	2	Washer, Flat
22	1013062	1	Asm., Stand, Side (Incl. 19,20,21)
23	7042047	1	Spring

# SHIFT LEVER

CLASSIC CRUISER V03CB16CA and CLASSIC CRUISER V03CB16CB and CLASSIC CRUISER V03CB16CC and CLASSIC CRUISER V03CB16CD and CLASSIC CRUISER V03CB16DA and CLASSIC CRUISER V03CB16DB and CLASSIC CRUISER V03CB16DC and CLASSIC CRUISER V03CB16DD and CLASSIC CRUISER V03CB16LA and CLASSIC CRUISER V03CB16LB and CLASSIC CRUISER V03CB16LC and CLASSIC CRUISER V03CB16LD and CLASSIC CRUISER V03CB16UA and CLASSIC CRUISER V03CB16UB and CLASSIC CRUISER V03CB16UC and CLASSIC CRUISER V03CB16UD

© 2002 Polaris Sales Inc.



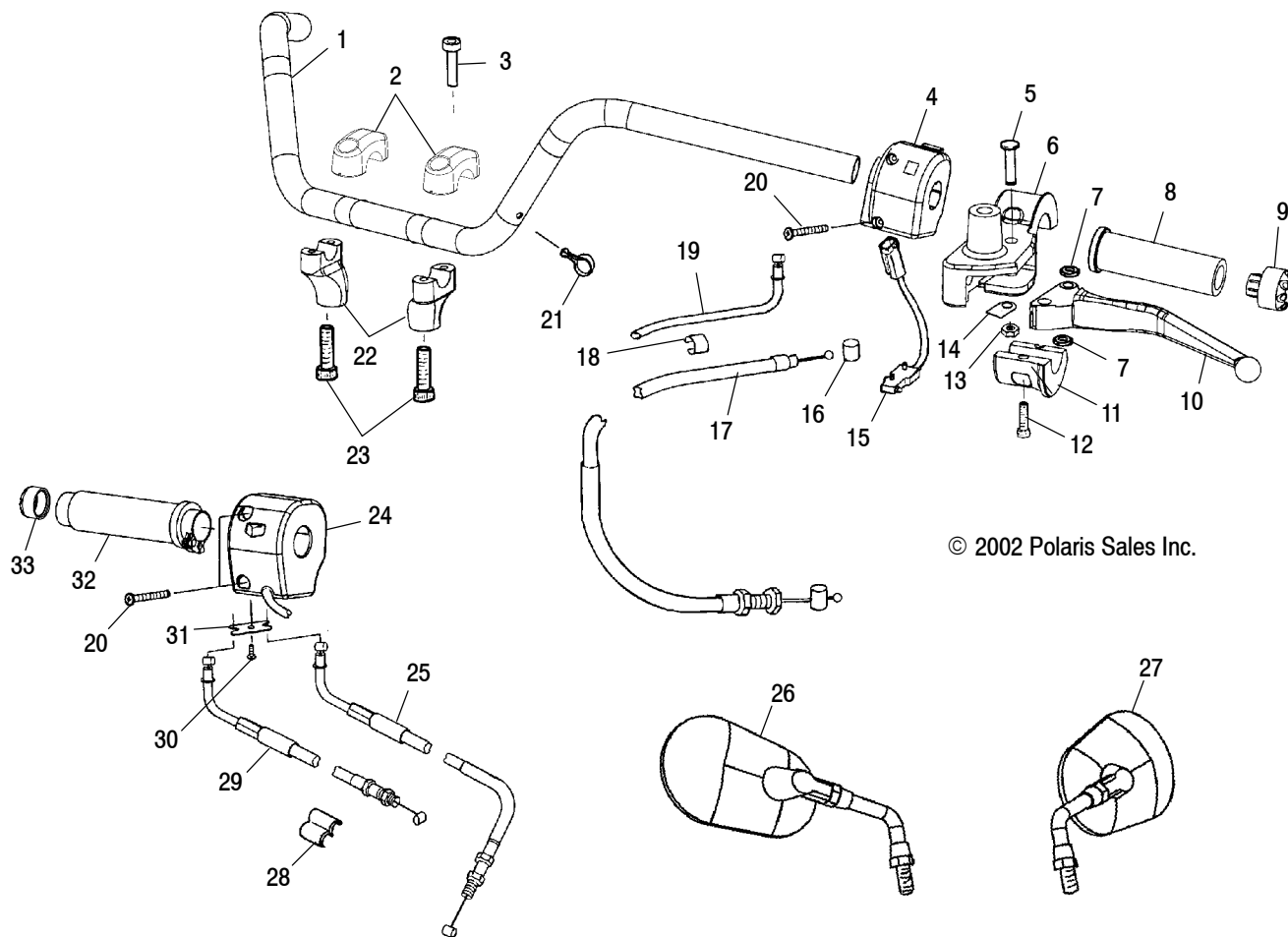
Part numbers may have changed since this microfiche was issued. To ensure that correct parts are received, refer to PartSmart, which is updated monthly.

Ref. Part No.	Qty.	Description	Ref. Part No.	Qty.	Description
1	1	Nut	7	1	Ring, Retaining
2	1	Rod, Shifter	8	1	Washer, Flat
3	1	Lever, Shifter	9	1	Washer, Wave
4	1	Screw	10	1	Bearing, Shift Pedal
5	1	Screw	11	1	Screw
6	2	Pad, Shift Pedal	12	1	Pedal, Shifter

8/02

# HANDLEBAR

CLASSIC CRUISER V03CB16CA and CLASSIC CRUISER V03CB16CB and CLASSIC CRUISER V03CB16CC and CLASSIC CRUISER V03CB16CD and CLASSIC CRUISER V03CB16DA and CLASSIC CRUISER V03CB16DB and CLASSIC CRUISER V03CB16DC and CLASSIC CRUISER V03CB16DD and CLASSIC CRUISER V03CB16LA and CLASSIC CRUISER V03CB16LB and CLASSIC CRUISER V03CB16LC and CLASSIC CRUISER V03CB16LD and CLASSIC CRUISER V03CB16UA and CLASSIC CRUISER V03CB16UB and CLASSIC CRUISER V03CB16UC and CLASSIC CRUISER V03CB16UD



© 2002 Polaris Sales Inc.

Part numbers may have changed since this microfiche was issued. To ensure that correct parts are received, refer to PartSmart, which is updated monthly.

Ref.	Part No.	Qty.	Description
1	5244831	1	Handlebar
2	5333903	2	Cap, Riser
3	7517361	4	Screw
4	4010562 4010786	1 1	Switch, Hand Control, Chrome, LH Switch, Hand Control Silver, LH
5	2201229 5133537	1 1	Kit, Lever Hardware (Incl. 7,13,14) Pin, Clutch Lever Screw
6	5133535	1	Bracket, Clutch/Mirror, Silver
7	5433164	2	Washer, Clutch Lever
8	5411256	1	Grip, Handlebar, LH
9	5432692	1	Cap, Handlebar End, LH
10	5131562	1	Lever, Clutch, Hand, LH
11	5133536	1	Cap, Clutch/Mirror Bracket, Silver
12	7517630	2	Screw
13	7547092	1	Nut, Nylok
14	5243113	1	Clip, Switch
15	4110257	1	Switch, Safety, Clutch
16	5433071	1	Bushing, Clutch Cable, Upper

Ref.	Part No.	Qty.	Description
17	7081017	1	Cable, Clutch
18	5433070	2	Clip, Clutch, Cable, Fast Idle
19	7080716	1	Cable, Fast Idle
20	7517366	4	Screw
21	5433140	4	Dart, Handlebar
22	5132424	2	Riser, Handlebar
23	7517586	2	Screw
24	4010571 4010787	1 1	Switch, Hand Control, Chrome, RH Switch, Hand Control, Silver, RH
25	7080724	1	Cable, Throttle, Push
26	2632261	1	Mirror, RH
27	2632260	1	Mirror, LH
28	5433039	2	Clip, Throttle Cables, Dual
29	7080725	1	Cable, Throttle, Pull
30	7517420	1	Screw
31	5242448	1	Retainer, Throttle Cable, Right
32	5411255	1	Grip, Throttle, Handlebar
33	5432715	1	Cap, Handlebar End, RH

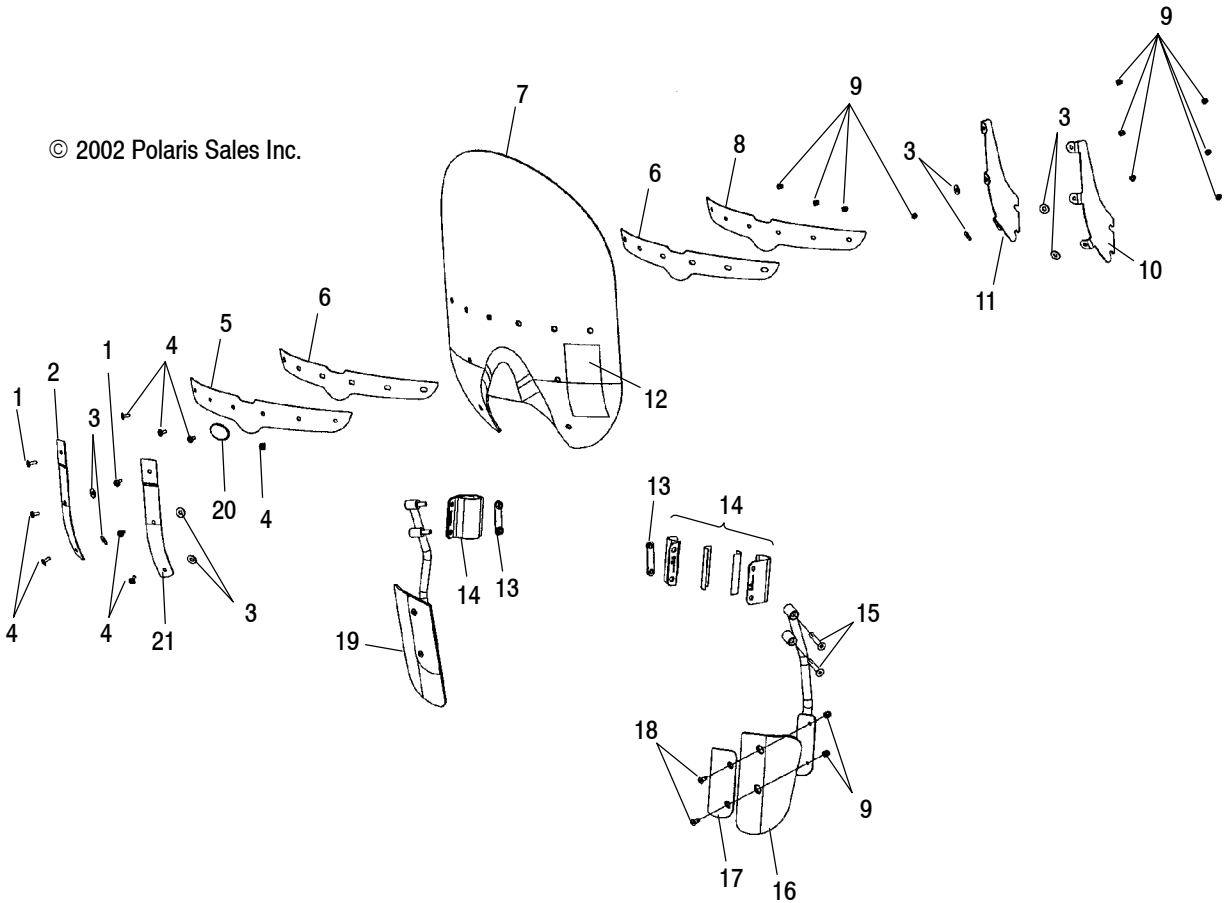
8/02



# WINDSHIELD

CLASSIC CRUISER V03CB16CA and CLASSIC CRUISER V03CB16CB and CLASSIC CRUISER V03CB16CC and CLASSIC CRUISER V03CB16CD and CLASSIC CRUISER V03CB16DA and CLASSIC CRUISER V03CB16DB and CLASSIC CRUISER V03CB16DC and CLASSIC CRUISER V03CB16DD and CLASSIC CRUISER V03CB16LA and CLASSIC CRUISER V03CB16LB and CLASSIC CRUISER V03CB16LC and CLASSIC CRUISER V03CB16LD and CLASSIC CRUISER V03CB16UA and CLASSIC CRUISER V03CB16UB and CLASSIC CRUISER V03CB16UC and CLASSIC CRUISER V03CB16UD

© 2002 Polaris Sales Inc.



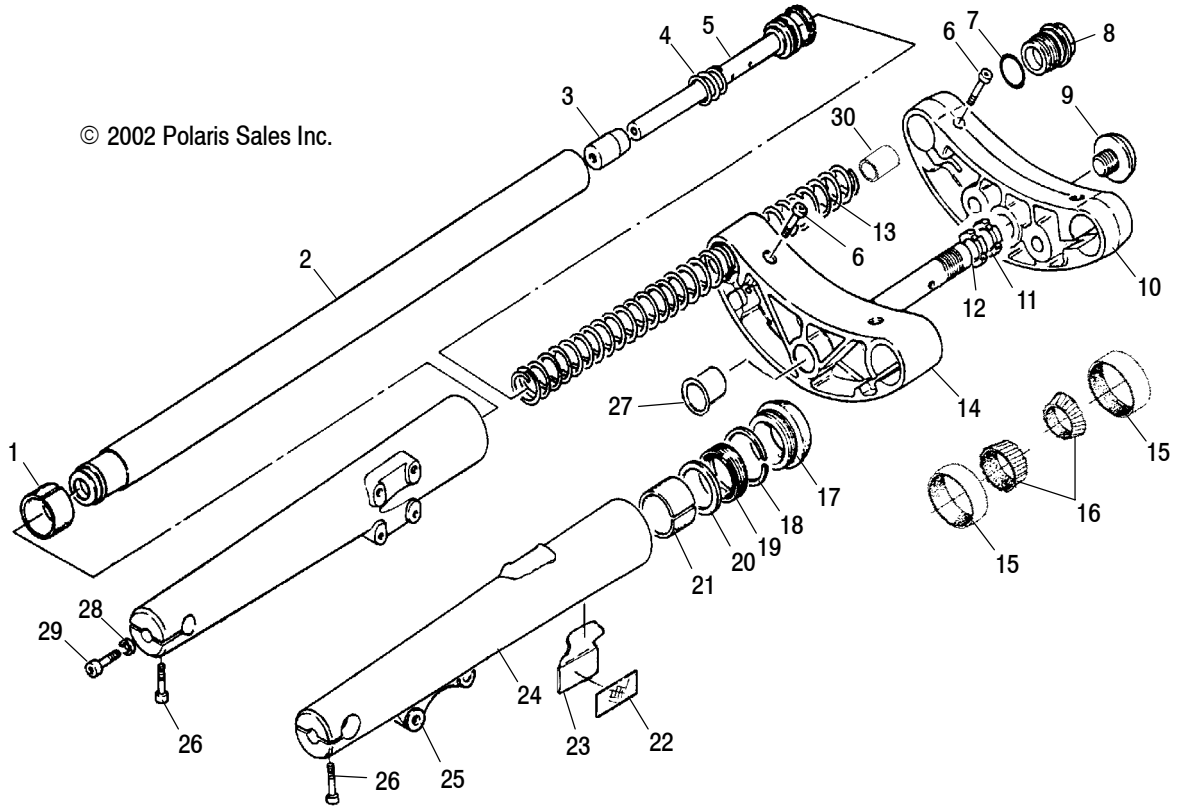
Part numbers may have changed since this microfiche was issued. To ensure that correct parts are received, refer to PartSmart, which is updated monthly.

Ref. Part No.	Qty.	Description	Ref. Part No.	Qty.	Description		
1	7518090	2	Screw	13	1013984	2	Plate, Nut
2	5245589	1	Bracket, Front, Windshield, Right	14	1013983	2	Asm., Windshield Clamp
3	7556221	8	Washer, Flat	15	7518133	4	Screw, Flathead
4	7518089	8	Screw	16	5434257	1	Deflector, LH
5	5245590	1	Bracket, Front, Windshield, Top		5434258	1	Deflector, RH
6	5812260	2	Pad, Windshield, Top, Front/Rear	17	5245628	1	Plate, Deflector, Front, LH
7	5433505	1	Windshield		5245629	1	Plate, Deflector, Front, RH
8	5245591	1	Bracket, Rear, Windshield, Top	18	7517754	4	Screw, Flathead
9	7547115	14	Nut, Acorn	19	1013999	1	Asm., Deflector, Lower, LH
10	5246541	1	Bracket, Windshield, Rear, LH		1014001	1	Asm., Deflector, Lower, RH
11	5246542	1	Bracket, Windshield, Rear, RH	20	7079671	1	Badge, Windshield, Stamp Silver
12	7079506	1	Decal, Warn/Caut/Cln, Windshield	21	5245588	1	Bracket, Front, Windshield, Left

# FRONT FORKS

CLASSIC CRUISER V03CB16CA and CLASSIC CRUISER V03CB16CB and CLASSIC CRUISER V03CB16CC and CLASSIC CRUISER V03CB16CD and CLASSIC CRUISER V03CB16DA and CLASSIC CRUISER V03CB16DB and CLASSIC CRUISER V03CB16DC and CLASSIC CRUISER V03CB16DD and CLASSIC CRUISER V03CB16LA and CLASSIC CRUISER V03CB16LB and CLASSIC CRUISER V03CB16LC and CLASSIC CRUISER V03CB16LD and CLASSIC CRUISER V03CB16UA and CLASSIC CRUISER V03CB16UB and CLASSIC CRUISER V03CB16UC and CLASSIC CRUISER V03CB16UD

© 2002 Polaris Sales Inc.



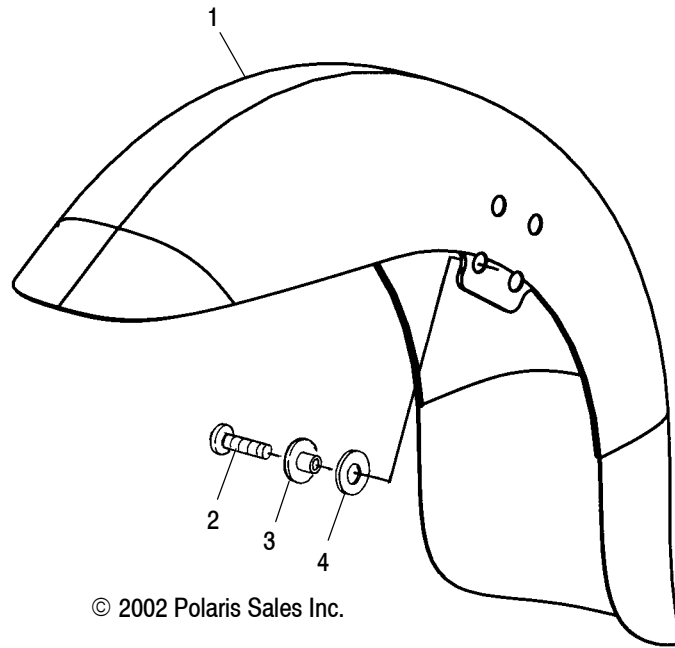
Part numbers may have changed since this microfiche was issued. To ensure that correct parts are received, refer to PartSmart, which is updated monthly.

Ref. Part No.	Qty.	Description
1821191	1	Asm., Fork Leg, LH (Non-Chrome) (Incl. 1-5,7-8,13,17-21,24,26,28-30)
1821353	1	Asm., Fork Leg, Chrome, LH (Incl. 1-5,7-8,13,17-21,24,26,28-30)
1821192	1	Asm., Fork Leg, RH (Non-Chrome) (Incl. 1-5,7-8,13,17-21,25,26,28-30)
1821354	1	Asm., Fork Leg, Chrome, RH (Incl. 1-5,7-8,13,17-21,25,26,28-30)
2872184	1	Oil, Fork
1 3585714	2	Bushing, Lower
2 5131505	2	Tube, Stanchion
3 5131498	2	Foot, Buffer
4 7041624	2	Spring, Rebound
5 2202093	2	Kit, Damper Rod/Segment
5434228	2	Ring, Damper
1500171	2	Rod, Damper
6 1500170	4	Screw
7 5411330	2	O-Ring
8 5131502	2	Plug, Fork
9 5131497	1	Bolt, Steering Post Cap
10 1820952	1	Asm., Clamp, Upper, Silver (Incl. 6)
1821175	1	Asm., Clamp, Upper, Chrome (Incl. 6)
11 5131953	1	Nut, Steering Post, Upper
12 5131496	1	Nut, Steering Post

Ref. Part No.	Qty.	Description
13 7042026	2	Spring, Compression
14 1820927	1	Asm., Triple Clamp, Lower, Silver (Incl. 6,9,11,12)
1821172	1	Asm., Triple Clamp, Lower, Chrome (Incl. 6,9,11,12)
15 3554507	2	Bearing, Tapered Roller Cup
16 3554510	2	Bearing, Tapered, Sealed
17 5133283	2	Cap, Dust
3610086	2	Seal, Dust Cap
18 5211827	2	Ring, Stop
19 3610068	2	Seal, Oil
20 5131504	2	Cap, Oil Seal
21 3585715	2	Bushing, Upper
22 5433878	2	Reflector
23 5433864	1	Base, Reflector, LH
5433748	1	Base, Reflector, RH
24 2202092	1	Kit, Slider Unit, LH, Silver (Incl. 18-21)
25 2202094	1	Kit, Slider Unit, RH, Silver (Incl. 18-21)
26 1500168	4	Screw
27 5433581	1	Cap, PVC
28 3610069	2	Washer, Oil Seal
29 1500169	2	Screw
30 5521585	2	Spacer, Preload

# FRONT FENDER

CLASSIC CRUISER V03CB16CA and CLASSIC CRUISER V03CB16CB and CLASSIC CRUISER V03CB16CC and CLASSIC CRUISER V03CB16CD and CLASSIC CRUISER V03CB16DA and CLASSIC CRUISER V03CB16DB and CLASSIC CRUISER V03CB16DC and CLASSIC CRUISER V03CB16DD and CLASSIC CRUISER V03CB16LA and CLASSIC CRUISER V03CB16LB and CLASSIC CRUISER V03CB16LC and CLASSIC CRUISER V03CB16LD and CLASSIC CRUISER V03CB16UA and CLASSIC CRUISER V03CB16UB and CLASSIC CRUISER V03CB16UC and CLASSIC CRUISER V03CB16UD



© 2002 Polaris Sales Inc.

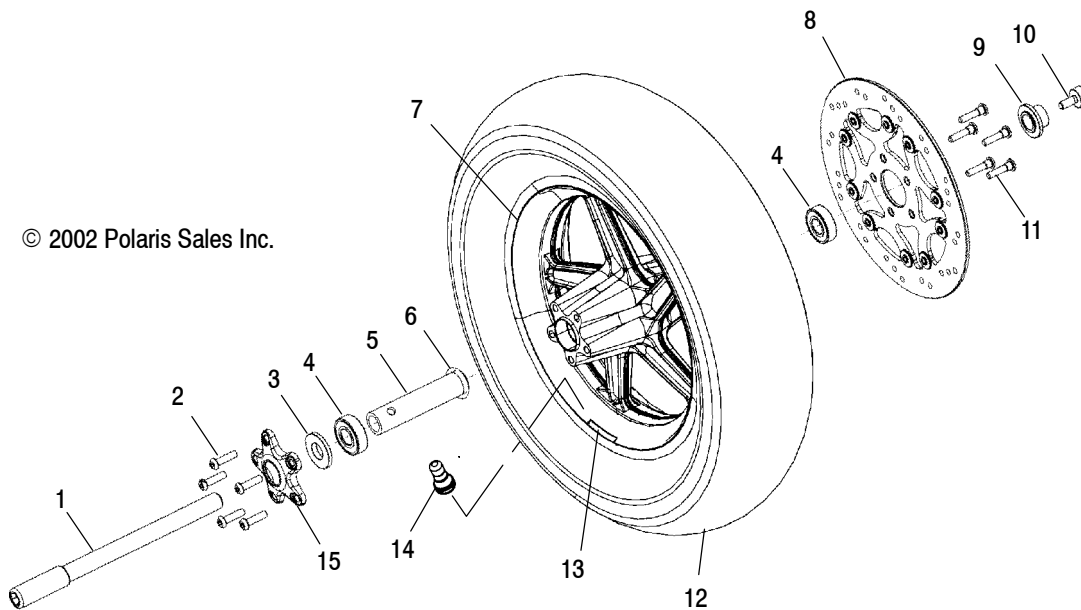
Part numbers may have changed since this microfiche was issued. To ensure that correct parts are received, refer to PartSmart, which is updated monthly.

Ref.	Part No.	Qty.	Description
1	5241833-266	1	Fender, Front, Black
	5241833-341	1	Fender, Front, Sonic Blue
	5241833-342	1	Fender, Front, Solar Red
	5241833-388	1	Fender, Front, Yellow
	5241833-384	1	Fender, Front, Flame
	5241833B1	1	Fender, Front, Blue/Silver
	5241833B2	1	Fender, Front, Red/Silver
	5241833B3	1	Fender, Front, Yellow/Black
5241833B4	1	Fender, Front, Turquoise/White	
2	7517510	8	Screw

Ref.	Part No.	Qty.	Description
3	5010440	8	Bushing, Fender Mount
4	5411355	8	Bushing, Rubber

## FRONT WHEEL (CAST)

CLASSIC CRUISER V03CB16CA and CLASSIC CRUISER V03CB16CB and CLASSIC CRUISER V03CB16CC and CLASSIC CRUISER V03CB16CD and CLASSIC CRUISER V03CB16DA and CLASSIC CRUISER V03CB16DB and CLASSIC CRUISER V03CB16DC and CLASSIC CRUISER V03CB16DD and CLASSIC CRUISER V03CB16LA and CLASSIC CRUISER V03CB16LB and CLASSIC CRUISER V03CB16LC and CLASSIC CRUISER V03CB16LD and CLASSIC CRUISER V03CB16UA and CLASSIC CRUISER V03CB16UB and CLASSIC CRUISER V03CB16UC and CLASSIC CRUISER V03CB16UD



Part numbers may have changed since this microfiche was issued. To ensure that correct parts are received, refer to PartSmart, which is updated monthly.

Ref. Part No.	Qty.	Description
1	1	Axle, Front
2	5	Screw
3	1	Spacer, Bearing, Front Wheel
4	2	Bearing, Ball
5	1	Spacer, Bearing
6	1	O-Ring
7	1	Wheel, Front
8	1	Rotor, Brake, Front

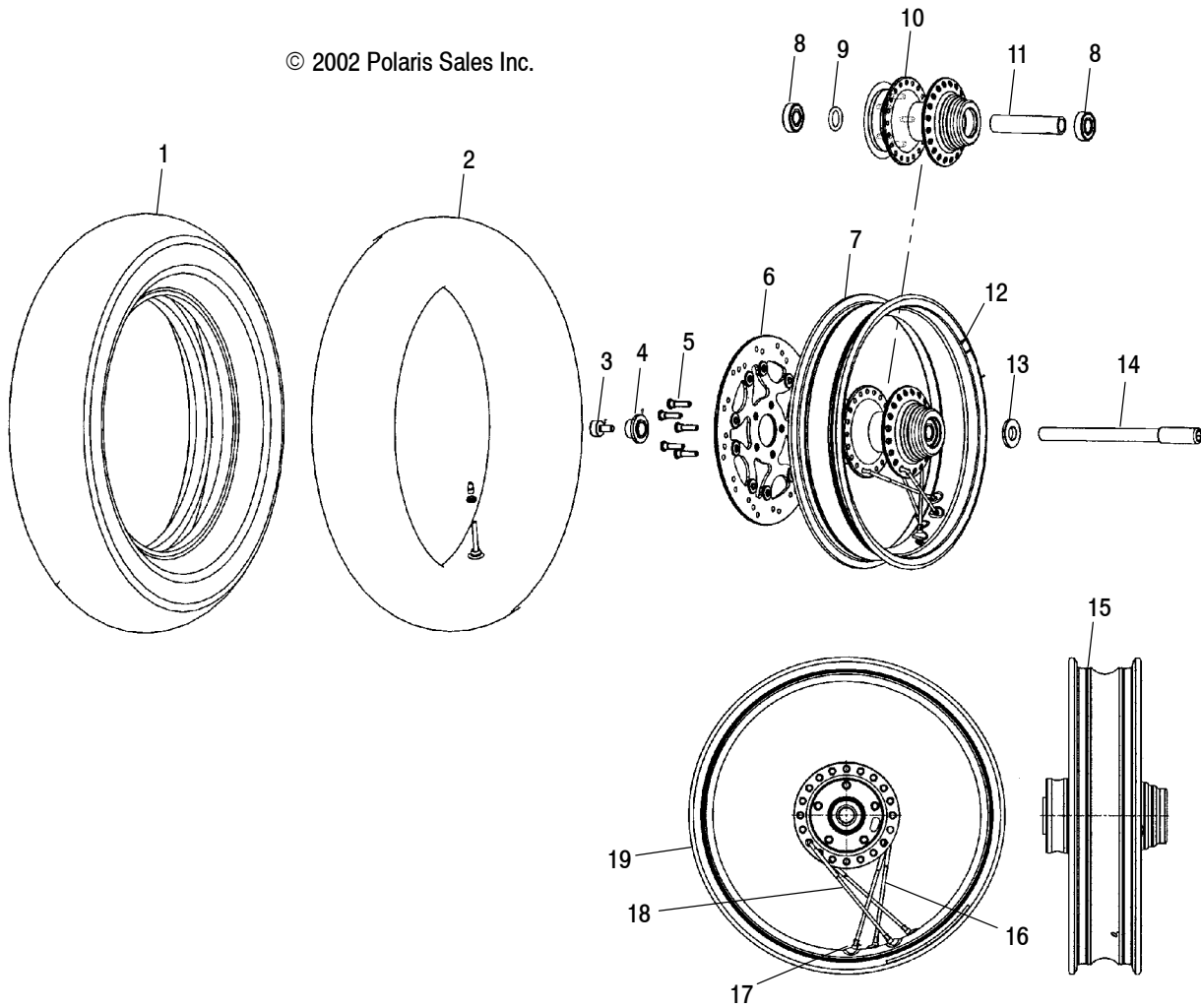
Ref. Part No.	Qty.	Description
9	1	Spacer, Front Axle
10	1	Screw
11	5	Screw
12	1	Tire, Front (16x3)
13	AR	Weight, Balance
14	1	Valve, Rim
15	1	Cap, Hub, Silver

10/02

## FRONT WHEEL (LACED)

CLASSIC CRUISER V03CB16CA and CLASSIC CRUISER V03CB16CB and CLASSIC CRUISER V03CB16CC and CLASSIC CRUISER V03CB16CD and CLASSIC CRUISER V03CB16DA and CLASSIC CRUISER V03CB16DB and CLASSIC CRUISER V03CB16DC and CLASSIC CRUISER V03CB16DD and CLASSIC CRUISER V03CB16LA and CLASSIC CRUISER V03CB16LB and CLASSIC CRUISER V03CB16LC and CLASSIC CRUISER V03CB16LD and CLASSIC CRUISER V03CB16UA and CLASSIC CRUISER V03CB16UB and CLASSIC CRUISER V03CB16UC and CLASSIC CRUISER V03CB16UD

© 2002 Polaris Sales Inc.



Part numbers may have changed since this microfiche was issued. To ensure that correct parts are received, refer to PartSmart, which is updated monthly.

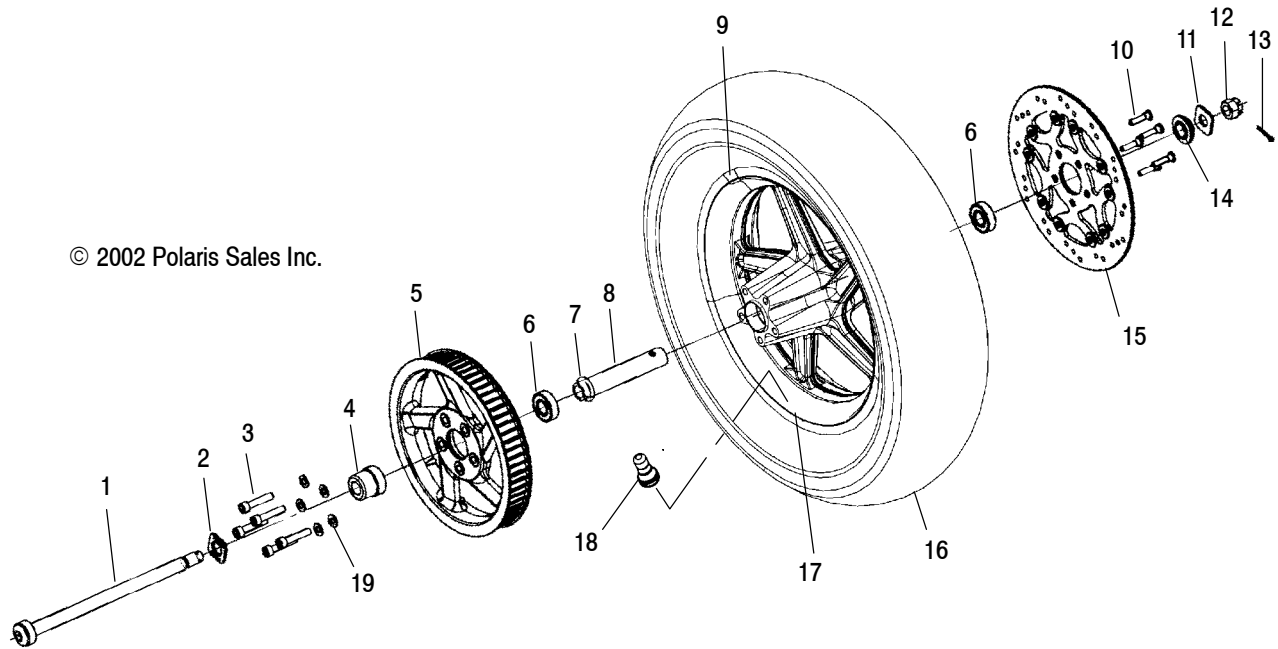
Ref.	Part No.	Qty.	Description
1	5411253	1	Tire, Front
	5412268	1	Tire, Front, Whitewall
2	1820875	1	Tube, Tire, Inner
3	7517936	1	Screw
4	5333558	1	Spacer
5	7517978	5	Screw
6	1910435	1	Rotor, Brake, Front
7	1520528	1	Asm., Wheel
8	3513509	2	Bearing, Ball
9	5411820	1	O-Ring

Ref.	Part No.	Qty.	Description
10	1520359	1	Asm., Hub, Front
11	5132323	1	Spacer, Bearing
12	1520618	AR	Weight, Balance, 1/4 oz.
13	5333768	1	Spacer, Bearing
14	5133094	1	Axle, Front
15	5812199	1	Flap, Rim
16	5333978	20	Spoke, Inner
17	5132870	40	Nipple, Spoke
18	5333979	20	Spoke, Outer
19	5132864	1	Rim

8/02

## REAR WHEEL (CAST)

CLASSIC CRUISER V03CB16CA and CLASSIC CRUISER V03CB16CB and CLASSIC CRUISER V03CB16CC and CLASSIC CRUISER V03CB16CD and CLASSIC CRUISER V03CB16DA and CLASSIC CRUISER V03CB16DB and CLASSIC CRUISER V03CB16DC and CLASSIC CRUISER V03CB16DD and CLASSIC CRUISER V03CB16LA and CLASSIC CRUISER V03CB16LB and CLASSIC CRUISER V03CB16LC and CLASSIC CRUISER V03CB16LD and CLASSIC CRUISER V03CB16UA and CLASSIC CRUISER V03CB16UB and CLASSIC CRUISER V03CB16UC and CLASSIC CRUISER V03CB16UD



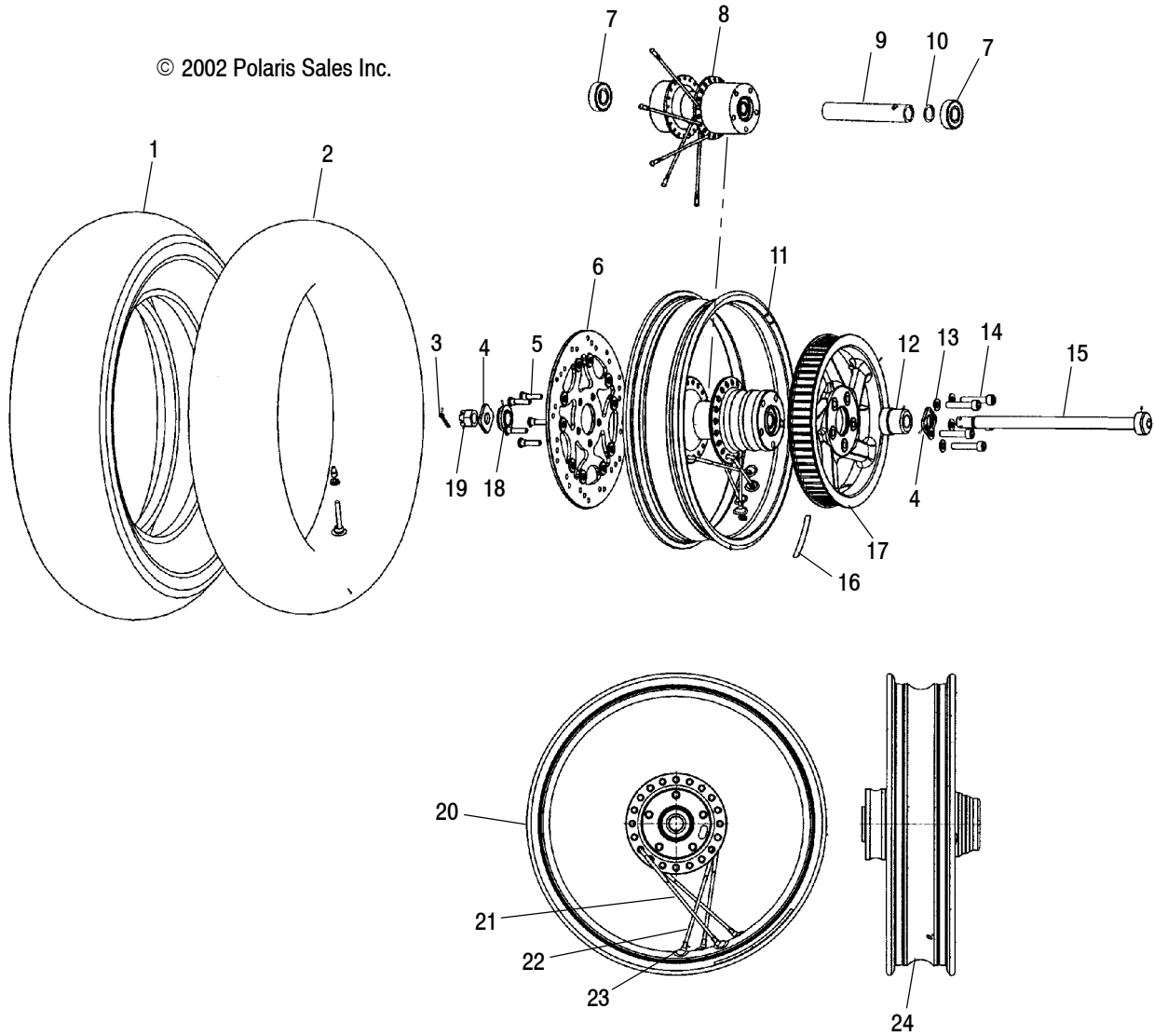
Part numbers may have changed since this microfiche was issued. To ensure that correct parts are received, refer to PartSmart, which is updated monthly.

Ref.	Part No.	Qty.	Description
1	1013184	1	Axle, Rear
2	5245088-067	1	Washer, Indicator, RH
3	7518044	5	Screw
4	5132624	1	Spacer, Rear Wheel, RH
5	1341378	1	Sprocket, Driven, 64T, Silver
6	3513509	2	Bearing, Ball
7	5411820	1	O-Ring
8	5132314	1	Spacer, Bearing, Middle
9	1520618	AR	Weight, Balance, 1/4 oz.
10	7517978	5	Screw
Ref.	Part No.	Qty.	Description
11	5245087-067	1	Washer, Indicator, LH
12	7547009	1	Nut
13	7663003	1	Pin, Cotter
14	5010429	1	Spacer, Axle, Rear, LH
15	1910498	1	Rotor, Brake
16	5411970	1	Tire, Rear, 16x3.5
17	5132635	1	Wheel, Rear
18	1520232	1	Valve, Rim
19	7556234	5	Washer, Flat

## REAR WHEEL (LACED)

CLASSIC CRUISER V03CB16CA and CLASSIC CRUISER V03CB16CB and CLASSIC CRUISER V03CB16CC and CLASSIC CRUISER V03CB16CD and CLASSIC CRUISER V03CB16DA and CLASSIC CRUISER V03CB16DB and CLASSIC CRUISER V03CB16DC and CLASSIC CRUISER V03CB16DD and CLASSIC CRUISER V03CB16LA and CLASSIC CRUISER V03CB16LB and CLASSIC CRUISER V03CB16LC and CLASSIC CRUISER V03CB16LD and CLASSIC CRUISER V03CB16UA and CLASSIC CRUISER V03CB16UB and CLASSIC CRUISER V03CB16UC and CLASSIC CRUISER V03CB16UD

© 2002 Polaris Sales Inc.



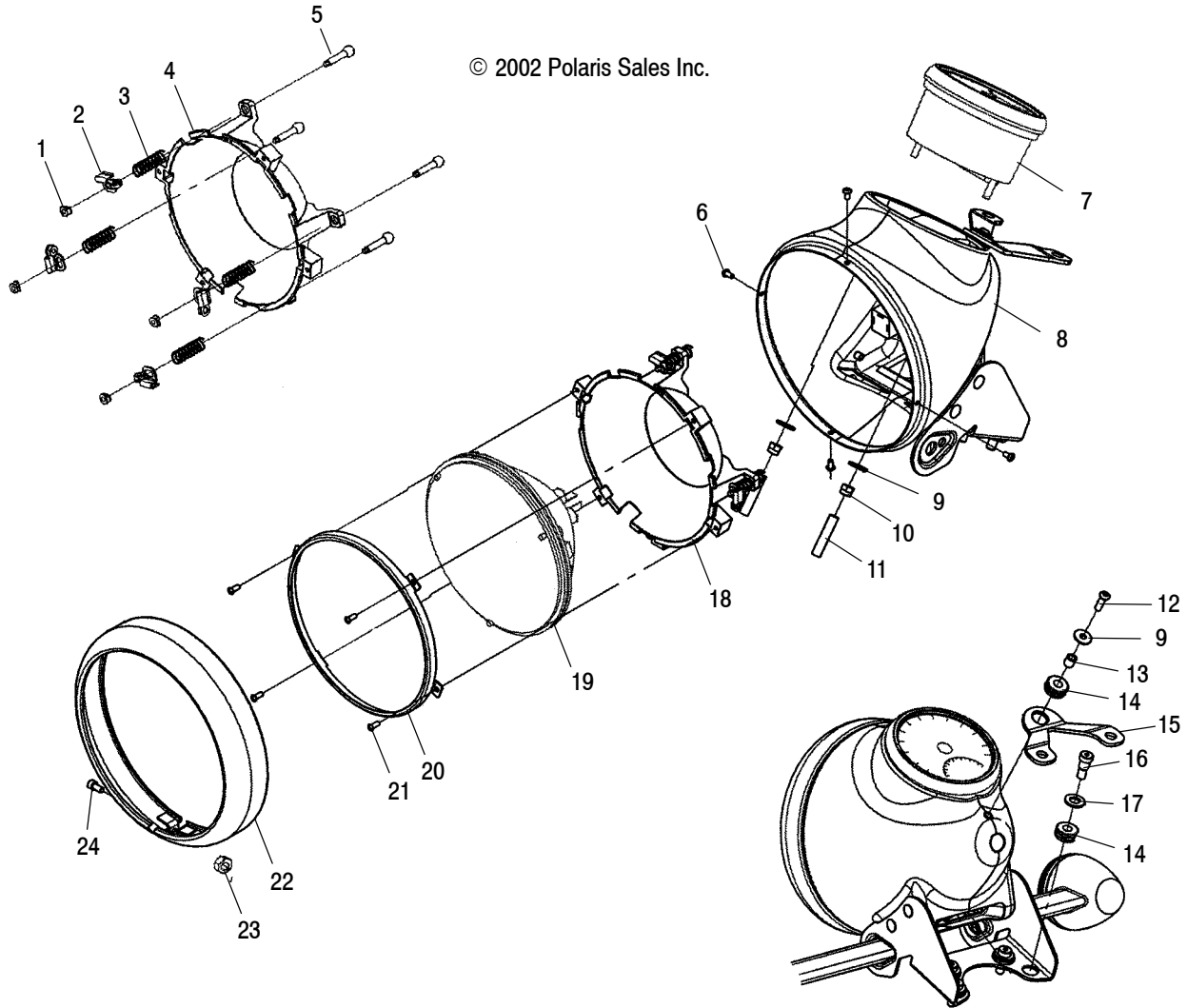
Part numbers may have changed since this microfiche was issued. To ensure that correct parts are received, refer to PartSmart, which is updated monthly.

Ref.	Part No.	Qty.	Description
	1520530	1	Asm. Wheel (Incl. 7-10,21-24)
1	5411970	1	Tire, Rear
	5412269	1	Tire, Rear, Whitewall
2	1820875	1	Tube, Tire, Inner
3	7663003	1	Pin, Cotter
4	5245087-067	1	Washer, Indicator, LH
	5245088-067	1	Washer, Indicator, RH
5	7517978	5	Screw
6	1910498	1	Rotor, Brake, Rear
7	3513509	2	Bearing, Ball
8	1520482	1	Asm., Hub
9	5132314	1	Spacer, Bearing
10	5411820	1	O-Ring
11	1520618	AR	Weight, Balance, 1/4 oz.

Ref.	Part No.	Qty.	Description
12	5132624	1	Spacer, RH
13	7556234	5	Washer, Flat
14	7518044	5	Screw
15	1013184	1	Axle, Rear
16	7079024	1	Decal, Rim, Laced, French
17	1341378	1	Sprocket, 64T
18	5010429	1	Spacer, Axle, Rear
19	7547009	1	Nut, Castle
20	5132867	1	Rim
21	5333979	20	Spoke, Outer
22	5333978	20	Spoke, Inner
23	5132870	40	Nipple, Spoke
24	5812199	1	Flap, Rim

# HEADLIGHT

CLASSIC CRUISER V03CB16CA and CLASSIC CRUISER V03CB16CB and CLASSIC CRUISER V03CB16CC and CLASSIC CRUISER V03CB16CD and CLASSIC CRUISER V03CB16DA and CLASSIC CRUISER V03CB16DB and CLASSIC CRUISER V03CB16DC and CLASSIC CRUISER V03CB16DD and CLASSIC CRUISER V03CB16LA and CLASSIC CRUISER V03CB16LB and CLASSIC CRUISER V03CB16LC and CLASSIC CRUISER V03CB16LD and CLASSIC CRUISER V03CB16UA and CLASSIC CRUISER V03CB16UB and CLASSIC CRUISER V03CB16UC and CLASSIC CRUISER V03CB16UD



Part numbers may have changed since this microfiche was issued. To ensure that correct parts are received, refer to PartSmart, which is updated monthly.

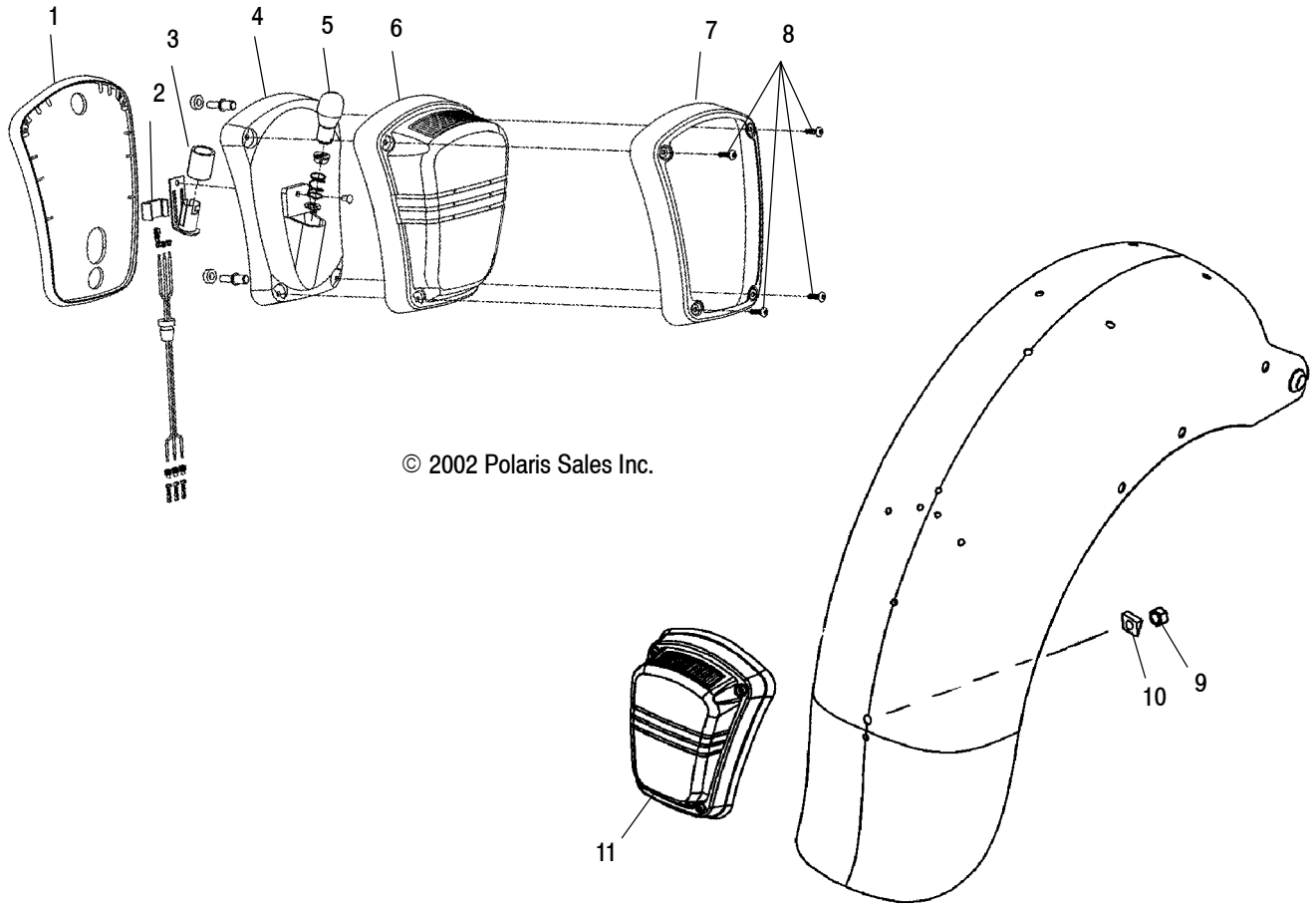
Ref.	Part No.	Qty.	Description
1	5433953	4	Nut, Adjust
2	1013696	4	Bracket, Adjust
3	7041958	4	Spring
4	5433952	1	Mount, Inner
5	7547162	4	Screw
6	7517486	4	Screw
7	3280446	1	Asm., Gauge, Speed/Tach
	3280447	1	Asm., Gauge, Speed/Tach (Can.)
8	1013272	1	Asm., Headlight Housing
9	7556064	3	Washer, Flat
10	7547106	2	Nut, Nylok
11	5411938	2	Cap, Thread Cover
12	7517504	1	Screw

Ref.	Part No.	Qty.	Description
13	5132725	1	Sleeve, Upper
14	5411982	2	Grommet, Upper
15	5244942	1	Bracket, Upper
16	7517852	4	Screw
17	7556155	4	Washer, Flat
18	1013362	1	Asm, Mount Adjust, Inner
19	4010160	1	Headlight, Sealed Beam
20	5244923	1	Ring, Retaining
21	7517910	4	Screw
22	1013290	1	Bezel
23	7547059	1	Nut, Nylok
24	7517845	1	Screw



# TAILLIGHT

CLASSIC CRUISER V03CB16CA and CLASSIC CRUISER V03CB16CB and CLASSIC CRUISER V03CB16CC and CLASSIC CRUISER V03CB16CD and CLASSIC CRUISER V03CB16DA and CLASSIC CRUISER V03CB16DB and CLASSIC CRUISER V03CB16DC and CLASSIC CRUISER V03CB16DD and CLASSIC CRUISER V03CB16LA and CLASSIC CRUISER V03CB16LB and CLASSIC CRUISER V03CB16LC and CLASSIC CRUISER V03CB16LD and CLASSIC CRUISER V03CB16UA and CLASSIC CRUISER V03CB16UB and CLASSIC CRUISER V03CB16UC and CLASSIC CRUISER V03CB16UD



© 2002 Polaris Sales Inc.

Part numbers may have changed since this microfiche was issued. To ensure that correct parts are received, refer to PartSmart, which is updated monthly.

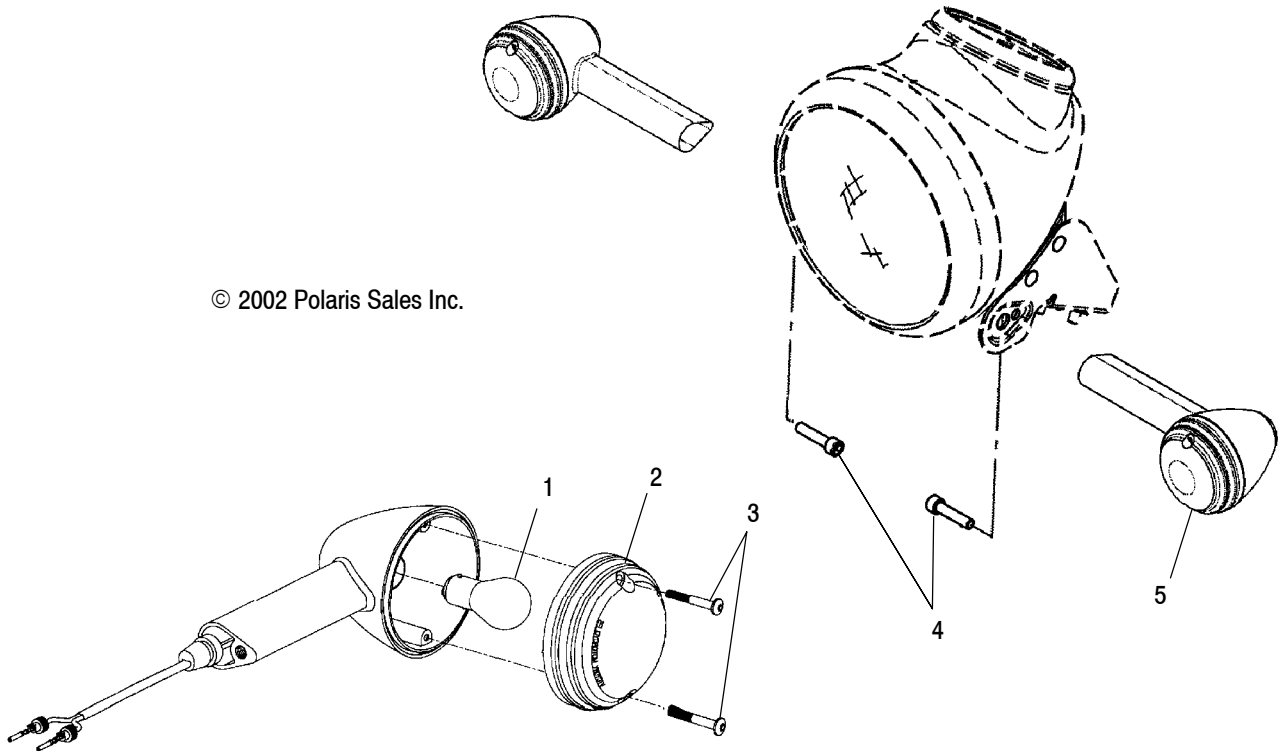
Ref.	Part No.	Qty.	Description
1	5812256	1	Pad, Taillight Mounting
2	5812262	1	Isolator, Taillight
3	5433773	1	Turtleneck, Taillight
4	-----	1	Base
5	4010222	1	Bulb, Dual Filament
6	5432732	1	Lens, Taillight

Ref.	Part No.	Qty.	Description
7	5230125	1	Bezel, Taillight
8	7517237	4	Screw
9	7547120	2	Nut
10	5131842	2	Spacer, Taillamp, Fender, Rear
11	2410219	1	Asm., Taillight (Incl. 1-8)

8/02

# FRONT TURN SIGNAL

CLASSIC CRUISER V03CB16CA and CLASSIC CRUISER V03CB16CB and CLASSIC CRUISER V03CB16CC and CLASSIC CRUISER V03CB16CD and CLASSIC CRUISER V03CB16DA and CLASSIC CRUISER V03CB16DB and CLASSIC CRUISER V03CB16DC and CLASSIC CRUISER V03CB16DD and CLASSIC CRUISER V03CB16LA and CLASSIC CRUISER V03CB16LB and CLASSIC CRUISER V03CB16LC and CLASSIC CRUISER V03CB16LD and CLASSIC CRUISER V03CB16UA and CLASSIC CRUISER V03CB16UB and CLASSIC CRUISER V03CB16UC and CLASSIC CRUISER V03CB16UD



Ref. Part No.	Qty.	Description
1 4030064	2	Bulb, Dual Filament, 198
2 2201419	2	Kit, Turn Signal Lens (Incl. 4)
3 7517369	4	Screw

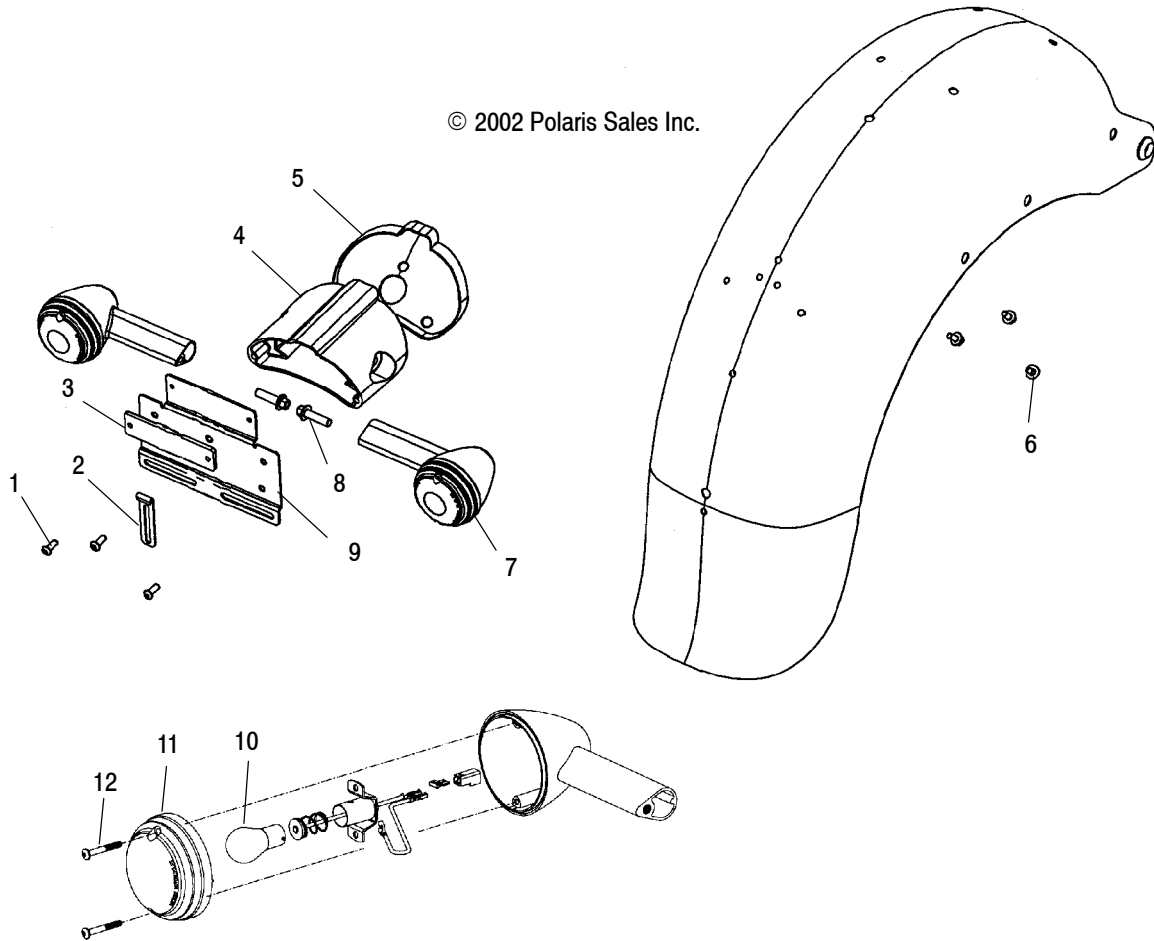
Ref. Part No.	Qty.	Description
4 7517517	2	Screw
5 2410244	1	Asm., Turn Signal Front, Left
2410245	1	Asm., Turn Signal Front, Right

11/01

## REAR TURN SIGNAL

CLASSIC CRUISER V03CB16CA and CLASSIC CRUISER V03CB16CB and CLASSIC CRUISER V03CB16CC and CLASSIC CRUISER V03CB16CD and CLASSIC CRUISER V03CB16DA and CLASSIC CRUISER V03CB16DB and CLASSIC CRUISER V03CB16DC and CLASSIC CRUISER V03CB16DD and CLASSIC CRUISER V03CB16LA and CLASSIC CRUISER V03CB16LB and CLASSIC CRUISER V03CB16LC and CLASSIC CRUISER V03CB16LD and CLASSIC CRUISER V03CB16UA and CLASSIC CRUISER V03CB16UB and CLASSIC CRUISER V03CB16UC and CLASSIC CRUISER V03CB16UD

© 2002 Polaris Sales Inc.



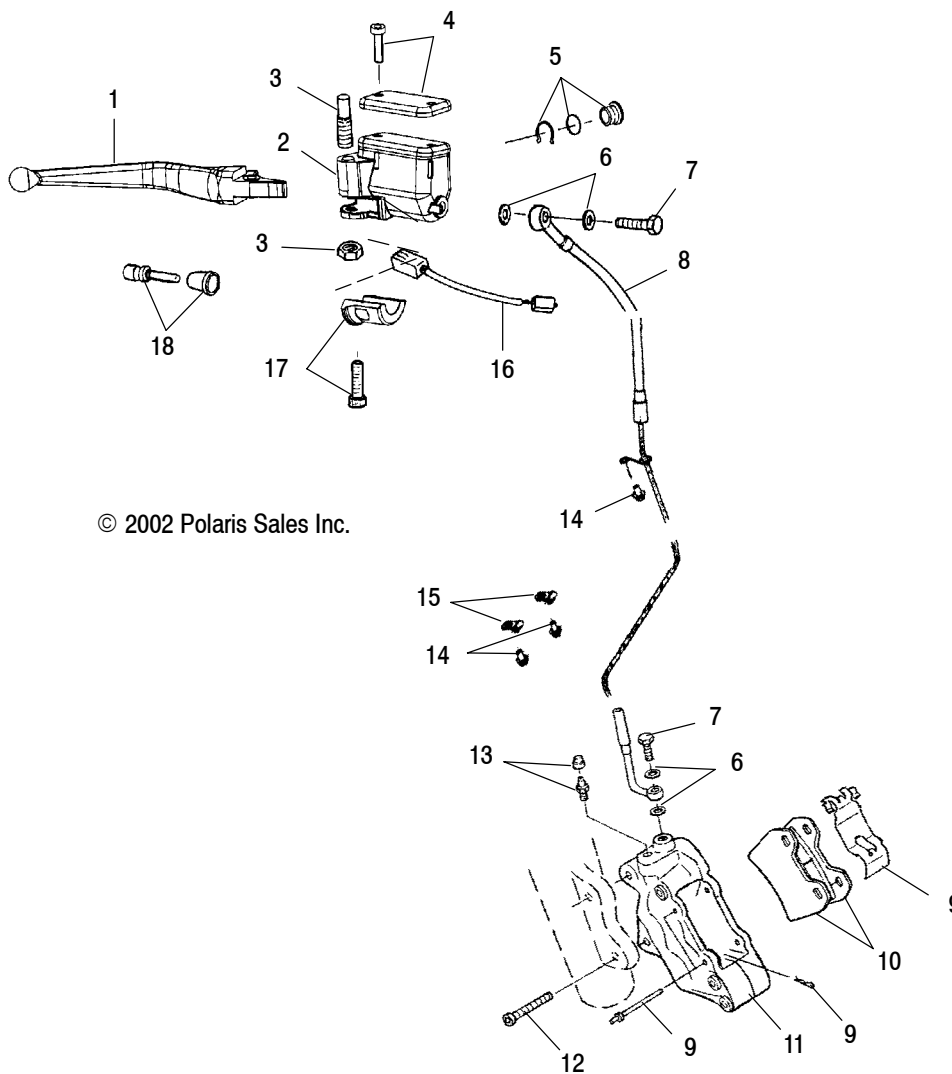
Ref. Part No.	Qty.	Description
1 7517494	3	Screw
2 5241885	1	Retainer, License Plate
3 5432992	1	Reflector, Rear, Red
4 5132513	1	Mount, Taillight
5 5812043	1	Gasket, Taillight Mount
6 7517886	3	Screw

Ref. Part No.	Qty.	Description
7 2410218	1	Asm., Turn Signal, Rear, Left
2410217	1	Asm., Turn Signal, Rear, Right
8 7517696	2	Screw
9 1013289	1	Holder, License
10 4030065	2	Bulb, Single Filament, 199
11 2201419	4	Kit, Turn Signal Lens (Incl. 12)
12 7517369	8	Screw

11/01

## FRONT BRAKE

CLASSIC CRUISER V03CB16CA and CLASSIC CRUISER V03CB16CB and CLASSIC CRUISER V03CB16CC and CLASSIC CRUISER V03CB16CD and CLASSIC CRUISER V03CB16DA and CLASSIC CRUISER V03CB16DB and CLASSIC CRUISER V03CB16DC and CLASSIC CRUISER V03CB16DD and CLASSIC CRUISER V03CB16LA and CLASSIC CRUISER V03CB16LB and CLASSIC CRUISER V03CB16LC and CLASSIC CRUISER V03CB16LD and CLASSIC CRUISER V03CB16UA and CLASSIC CRUISER V03CB16UB and CLASSIC CRUISER V03CB16UC and CLASSIC CRUISER V03CB16UD



© 2002 Polaris Sales Inc.

Part numbers may have changed since this microfiche was issued. To ensure that correct parts are received, refer to PartSmart, which is updated monthly.

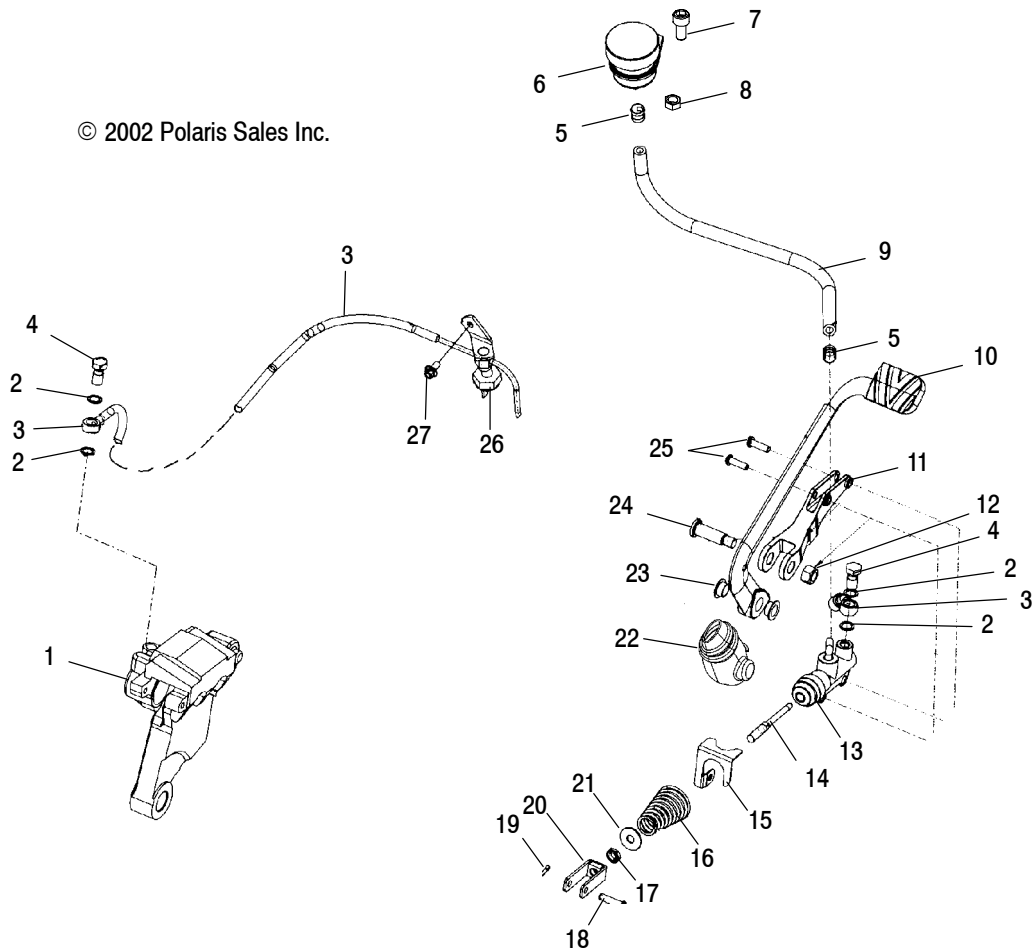
Ref.	Part No.	Qty.	Description
1	5131657	1	Lever, Hand Brake, Front
2	2010217	1	Asm., Master Cylinder, Front Brake
3	2201215	1	Kit, Lever Hardware (Incl. Pin and Nut)
4	2202309	1	Kit, Cap Hardware (Incl. Membrane, Screws, Cap and Diaphragm)
5	2201182	1	Kit, Sight Hardware (Incl. O-Ring, Sight and Clip)
6	7556028	4	Washer, Copper
7	1930848	2	Bolt, Banjo
8	1910579	1	Hose, Brake, Front
9	2201176	2	Kit, Pins, Clips, Spring

Ref.	Part No.	Qty.	Description
10	2201170	1	Kit, Front Brake Pads (2 Per)
11	1910618	1	Asm., Front Caliper
12	7517990	2	Screw
13	2201173	1	Kit, Bleeder (Incl. Bleeder Fitting and Boot)
14	7517704	3	Screw
15	7081164	2	Clamp
16	4110242	1	Switch, Stop
17	2202310	1	Kit, Clamp Hardware (Incl. Clamp and Screws)
18	2201218	1	Kit, Pushrod Hardware (Incl. Pushrod and Boot)

# REAR BRAKE

CLASSIC CRUISER V03CB16CA and CLASSIC CRUISER V03CB16CB and CLASSIC CRUISER V03CB16CC and CLASSIC CRUISER V03CB16CD and CLASSIC CRUISER V03CB16DA and CLASSIC CRUISER V03CB16DB and CLASSIC CRUISER V03CB16DC and CLASSIC CRUISER V03CB16DD and CLASSIC CRUISER V03CB16LA and CLASSIC CRUISER V03CB16LB and CLASSIC CRUISER V03CB16LC and CLASSIC CRUISER V03CB16LD and CLASSIC CRUISER V03CB16UA and CLASSIC CRUISER V03CB16UB and CLASSIC CRUISER V03CB16UC and CLASSIC CRUISER V03CB16UD

© 2002 Polaris Sales Inc.



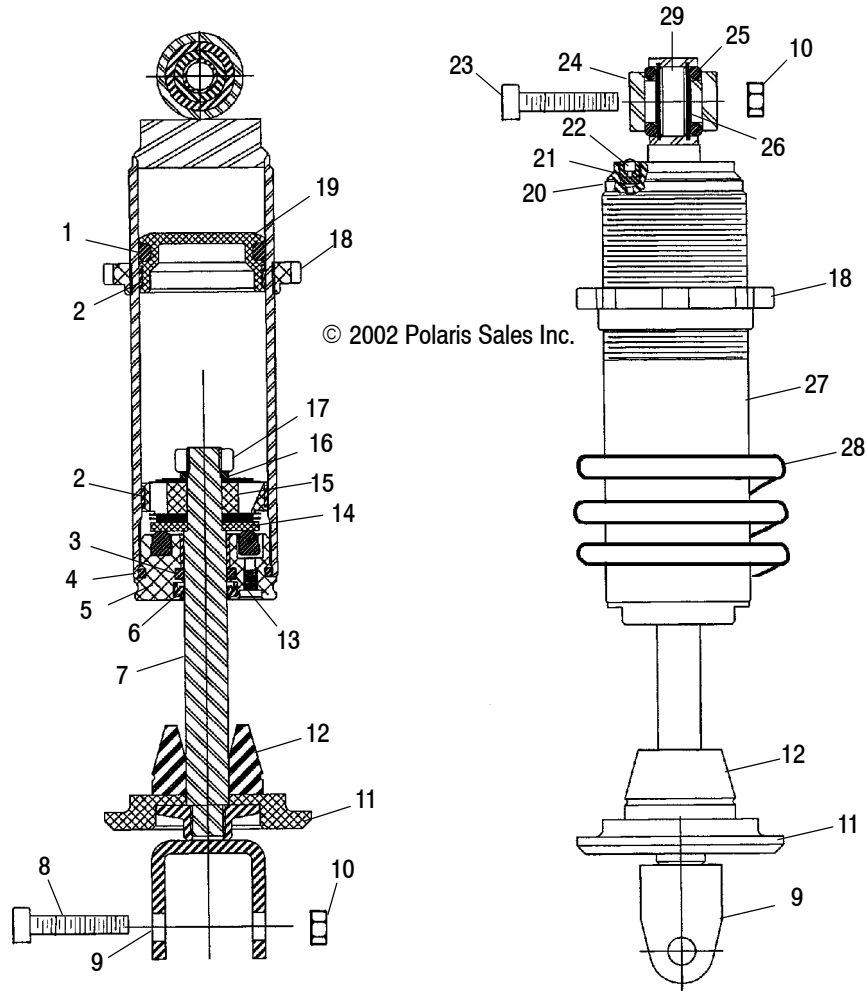
Part numbers may have changed since this microfiche was issued. To ensure that correct parts are received, refer to PartSmart, which is updated monthly.

Ref.	Part No.	Qty.	Description
	2201171	1	Kit, Brake Pad
	2201173	1	Kit, Bleeder Screw, Boot
	2201174	1	Kit, Boots, Caliper, Rear
	2201175	1	Kit, Pin, Retainer, Spring, Clip
1	1910651	1	Asm., Caliper, Rear
2	7556028	4	Washer, Copper
3	1910715	1	Hose
	7081014	6	Clip, Brake Line (8mm)
	7080949	2	Clip, Brake Line (10mm)
	7080945	1	Clip, Brake Line (5mm)
4	1930848	2	Bolt
5	7080904	2	Clamp, Hose
6	1930882	1	Reservoir
7	7517704	1	Screw
8	7547120	1	Nut
9	1910558	1	Hose
10	5132459	1	Pedal, Brake
11	5131688-067	1	Support, Brake Pedal

Ref.	Part No.	Qty.	Description
12	7547039	1	Nut
13	1910396	1	Cylinder, Master, Rear (Black)
	1910650	1	Cylinder, Master, Rear, Silver
14	5132298	1	Rod, Brake
15	5242952-067	1	Bracket, Brake Spring Retaining
16	7041746-067	1	Spring, Brake Pedal
17	7547050	1	Nut
18	7661096	1	Pin, Brake
19	7661097	1	Pin, Cotter
20	1080038	1	Clevis, Brake Rod
21	7556045	1	Washer, Flat
22	5411943	1	Boot, Rubber
23	5020904	2	Bushing
24	7517715	1	Screw
25	7517391	2	Screw
26	4010372	1	Switch, Pressure
27	7517704	1	Screw

# REAR SHOCK

CLASSIC CRUISER V03CB16CA and CLASSIC CRUISER V03CB16CB and CLASSIC CRUISER V03CB16CC and CLASSIC CRUISER V03CB16CD and CLASSIC CRUISER V03CB16DA and CLASSIC CRUISER V03CB16DB and CLASSIC CRUISER V03CB16DC and CLASSIC CRUISER V03CB16DD and CLASSIC CRUISER V03CB16LA and CLASSIC CRUISER V03CB16LB and CLASSIC CRUISER V03CB16LC and CLASSIC CRUISER V03CB16LD and CLASSIC CRUISER V03CB16UA and CLASSIC CRUISER V03CB16UB and CLASSIC CRUISER V03CB16UC and CLASSIC CRUISER V03CB16UD



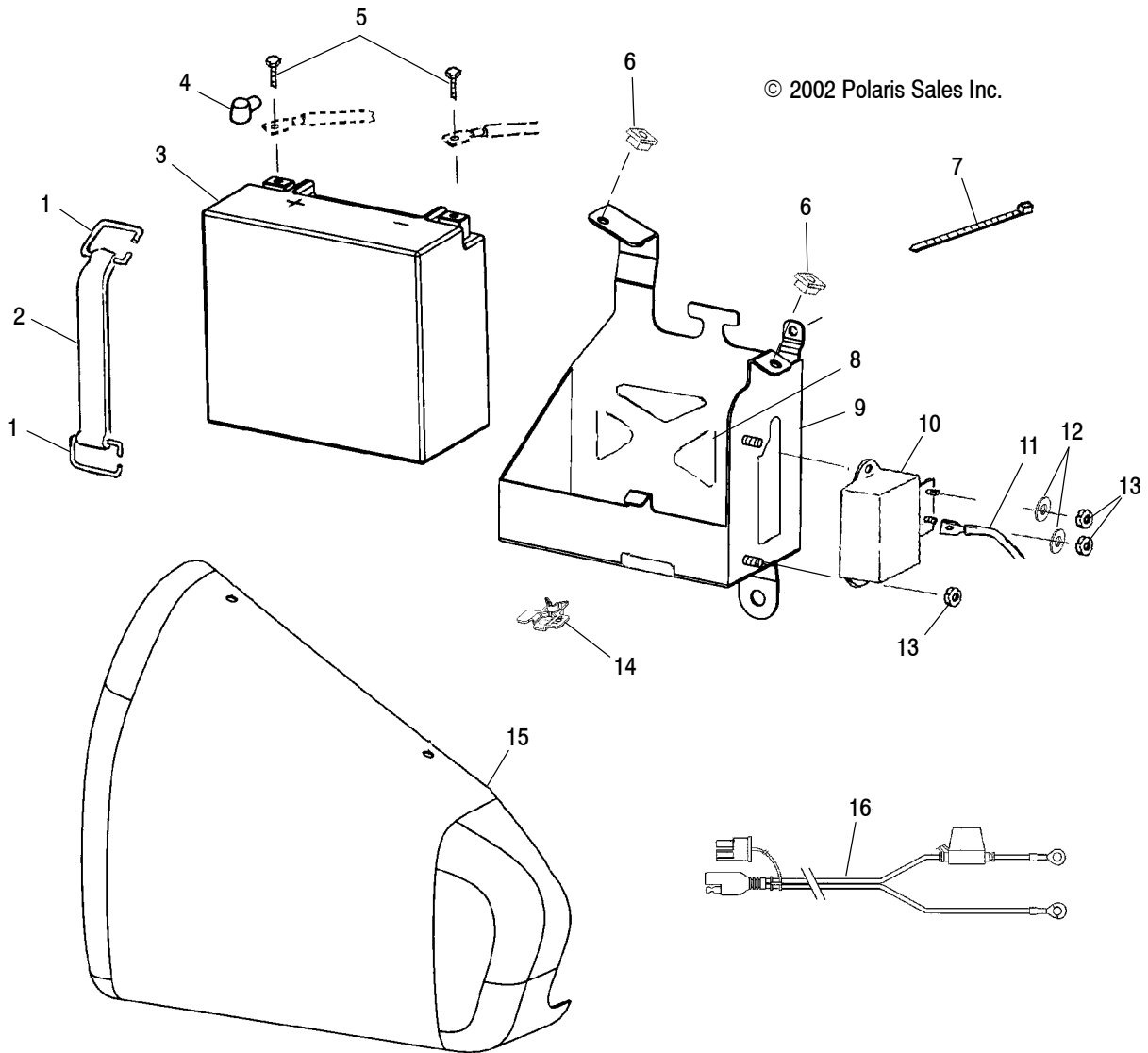
Part numbers may have changed since this microfiche was issued. To ensure that correct parts are received, refer to PartSmart, which is updated monthly.

Ref.	Part No.	Qty.	Description
	7042152	1	Shock, Rear, FOX
	1500454	1	Decal, Warning
	1500477	1	Decal, Victory/Polaris, FOX
1	1500208	1	O-Ring
2	1500230	2	Bearing, Step Cut
3	1500259	1	O-Ring
4	1500228	1	O-Ring
5	1500465	1	Bearing
6	1500256	1	U-Cup
7	1500469	1	Shaft
8	7517961	1	Screw
9	1500467	1	Eyelet, Clevis
10	7547122	2	Nut
11	1500466	1	Retainer, Spring
12	1500468	1	Bumper
13	1500295	1	Screw
	1500022	1	O-Ring

Ref.	Part No.	Qty.	Description
14	1500470	1	Plate
15	1500464	1	Piston
16	1500471	1	Washer
17	1500472	1	Nut, Lock
18	1500462	1	Ring, Spring Preload
19	1500211	1	Piston, Floating
20	1500460	1	Pellet
21	1500478	1	Retainer, Pellet
22	1500461	1	Ball, Nylon
23	7517962	1	Screw
24	1500173	1	Reducer
25	1500093	1	O-Ring
26	7710446	2	Ring, Snap
27	1500463	1	Body
28	7042155	1	Spring, Rear
29	3513506	1	Bearing, Spherical

# BATTERY BOX

CLASSIC CRUISER V03CB16CA and CLASSIC CRUISER V03CB16CB and CLASSIC CRUISER V03CB16CC and CLASSIC CRUISER V03CB16CD and CLASSIC CRUISER V03CB16DA and CLASSIC CRUISER V03CB16DB and CLASSIC CRUISER V03CB16DC and CLASSIC CRUISER V03CB16DD and CLASSIC CRUISER V03CB16LA and CLASSIC CRUISER V03CB16LB and CLASSIC CRUISER V03CB16LC and CLASSIC CRUISER V03CB16LD and CLASSIC CRUISER V03CB16UA and CLASSIC CRUISER V03CB16UB and CLASSIC CRUISER V03CB16UC and CLASSIC CRUISER V03CB16UD



© 2002 Polaris Sales Inc.

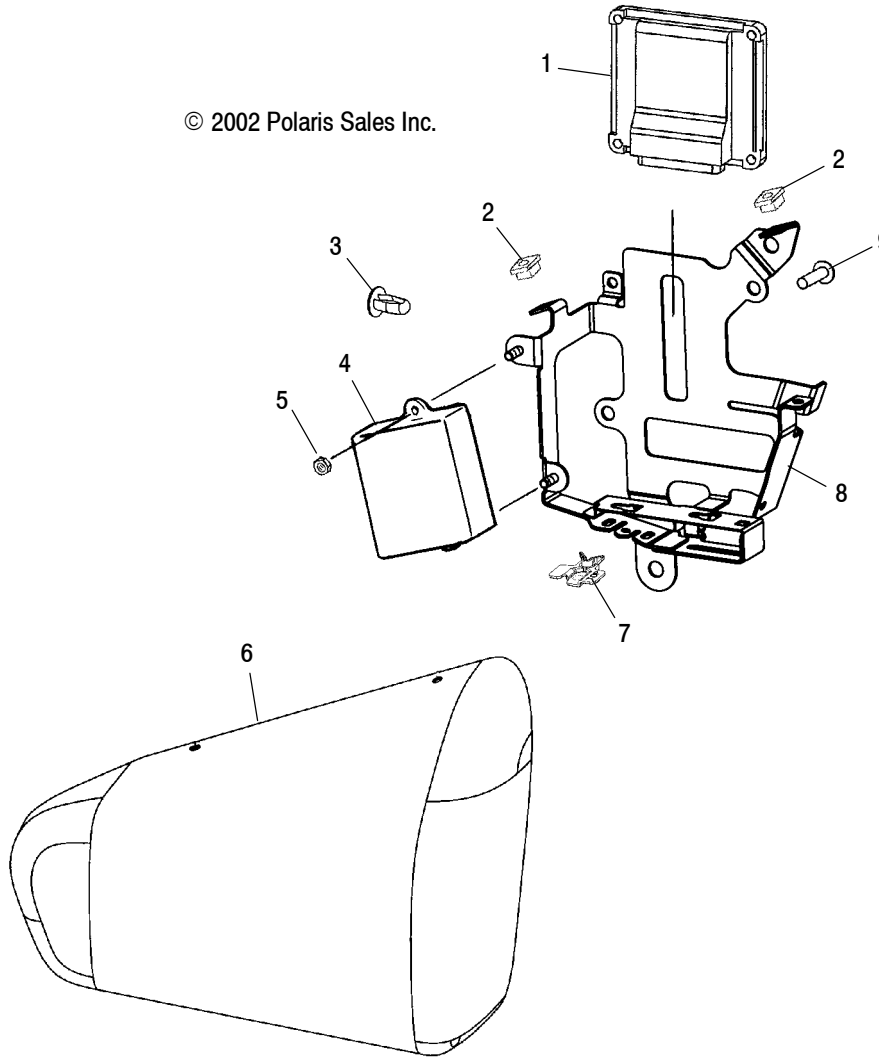
Part numbers may have changed since this microfiche was issued. To ensure that correct parts are received, refer to PartSmart, which is updated monthly.

Ref.	Part No.	Qty.	Description
1	5224472	2	D-Hook
2	5410424	1	Strap, Battery Hold Down
3	4010466	1	Battery
4	5411570	1	Boot, Cable, Battery, Red
5	2201357	1	Kit, Battery Bolt
6	5433510	2	Grommet
7	7080138	4	Cable Tie
8	5244759	8	Pad, Battery Box
9	1013232-067	1	Box, Battery
10	2410181	1	Relay, Starter
11	4010309	1	Cable, Starter/Relay

Ref.	Part No.	Qty.	Description
12	7556064	2	Washer, Flat
13	7547120	4	Nut
14	5433841	1	Clip
15	1013697-266	1	Cover, Side, Black, LH
	1013697-342	1	Cover, Side, Solar Red, LH
	1013697-388	1	Cover, Side, Yellow, LH
	1013697-341	1	Cover, Side, Sonic Blue, LH
	1013697B1	1	Cover, Side, Blue/Silver, LH
	1013697B2	1	Cover, Side, Red/Silver, LH
	1013697B3	1	Cover, Side, Yellow/Black, LH
	1013697B4	1	Cover, Side, Turquoise/White, LH
16	2461006	1	Harness, Charging

# ECM BOX

CLASSIC CRUISER V03CB16CA and CLASSIC CRUISER V03CB16CB and CLASSIC CRUISER V03CB16CC and CLASSIC CRUISER V03CB16CD and CLASSIC CRUISER V03CB16DA and CLASSIC CRUISER V03CB16DB and CLASSIC CRUISER V03CB16DC and CLASSIC CRUISER V03CB16DD and CLASSIC CRUISER V03CB16LA and CLASSIC CRUISER V03CB16LB and CLASSIC CRUISER V03CB16LC and CLASSIC CRUISER V03CB16LD and CLASSIC CRUISER V03CB16UA and CLASSIC CRUISER V03CB16UB and CLASSIC CRUISER V03CB16UC and CLASSIC CRUISER V03CB16UD



© 2002 Polaris Sales Inc.

Part numbers may have changed since this microfiche was issued. To ensure that correct parts are received, refer to PartSmart, which is updated monthly.

Ref.	Part No.	Qty.	Description
1	4010855	1	ECM - C/DC/CC Programmed (US)
	4010878	1	Calibration (US)
	4010916	1	ECM, Programmed (Can)
	4010917	1	Calibration (Can)
	5244759	2	Pad
2	5433510	2	Grommet
3	4010609	2	Clip, Canoe
4	2410101	1	Flasher, Turn Signal/Hazard
5	7547120	2	Nut

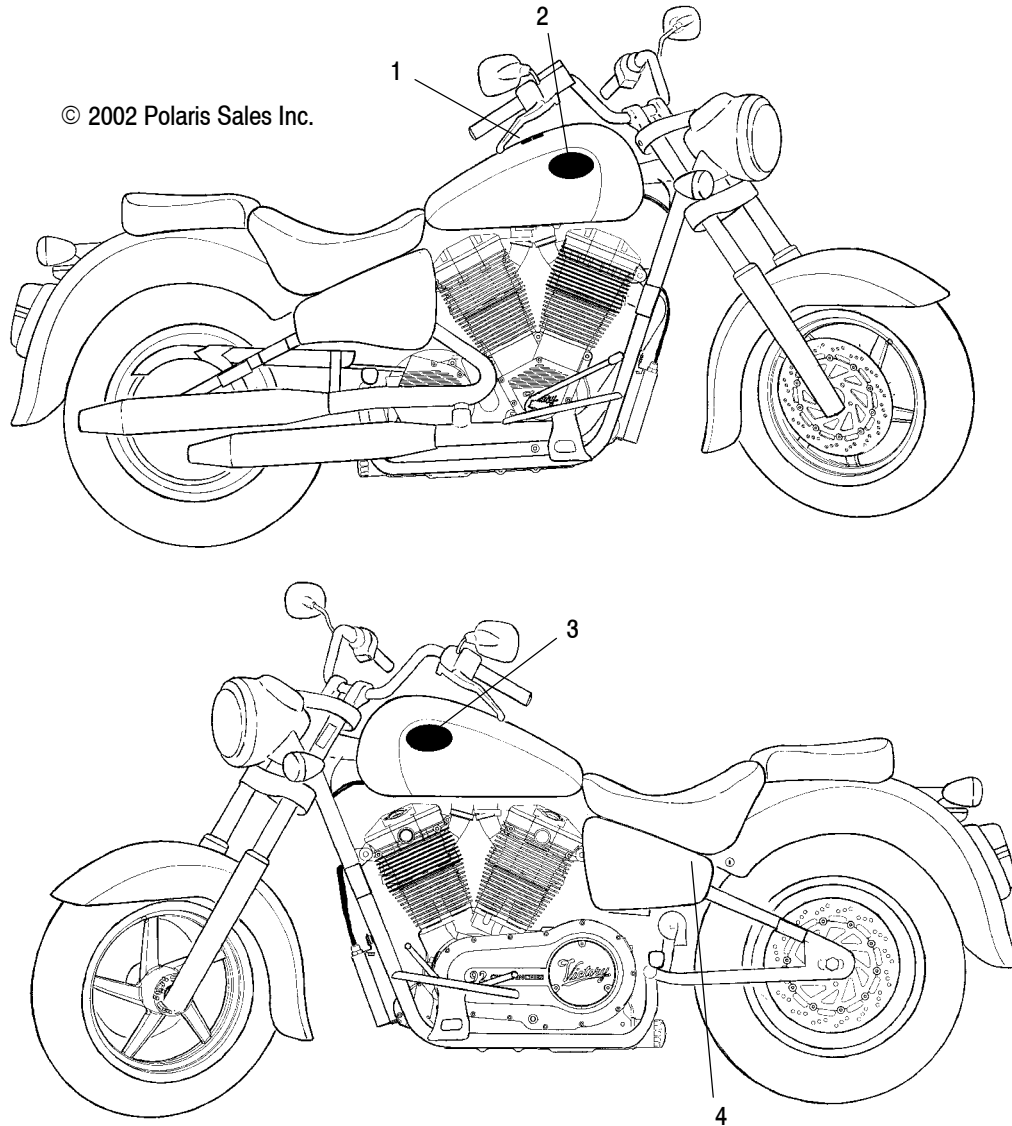
Ref.	Part No.	Qty.	Description
6	1013517-342	1	Cover, Side, Solar Red, RH
	1013517-266	1	Cover, Side, Black, RH
	1013517-388	1	Cover, Side, Yellow, RH
	1013517-341	1	Cover, Side, Sonic Blue, RH
	1013517B1	1	Cover, Side, Blue/Silver, RH
	1013517B2	1	Cover, Side, Red/Silver, RH
	1013517B3	1	Cover, Side, Yellow/Black, RH
	1013517B4	1	Cover, Side, Turquoise/White, RH
7	5433841	1	Clip
8	1013677-067	1	Mount, ECM/Fuse/Side Cover
9	7670141	2	Clip, Plastic Dart

12/02



## DECALS

CLASSIC CRUISER V03CB16CA and CLASSIC CRUISER V03CB16CB and CLASSIC CRUISER V03CB16CC and CLASSIC CRUISER V03CB16CD and CLASSIC CRUISER V03CB16DA and CLASSIC CRUISER V03CB16DB and CLASSIC CRUISER V03CB16DC and CLASSIC CRUISER V03CB16DD and CLASSIC CRUISER V03CB16LA and CLASSIC CRUISER V03CB16LB and CLASSIC CRUISER V03CB16LC and CLASSIC CRUISER V03CB16LD and CLASSIC CRUISER V03CB16UA and CLASSIC CRUISER V03CB16UB and CLASSIC CRUISER V03CB16UC and CLASSIC CRUISER V03CB16UD



© 2002 Polaris Sales Inc.

Part numbers may have changed since this microfiche was issued. To ensure that correct parts are received, refer to PartSmart, which is updated monthly.

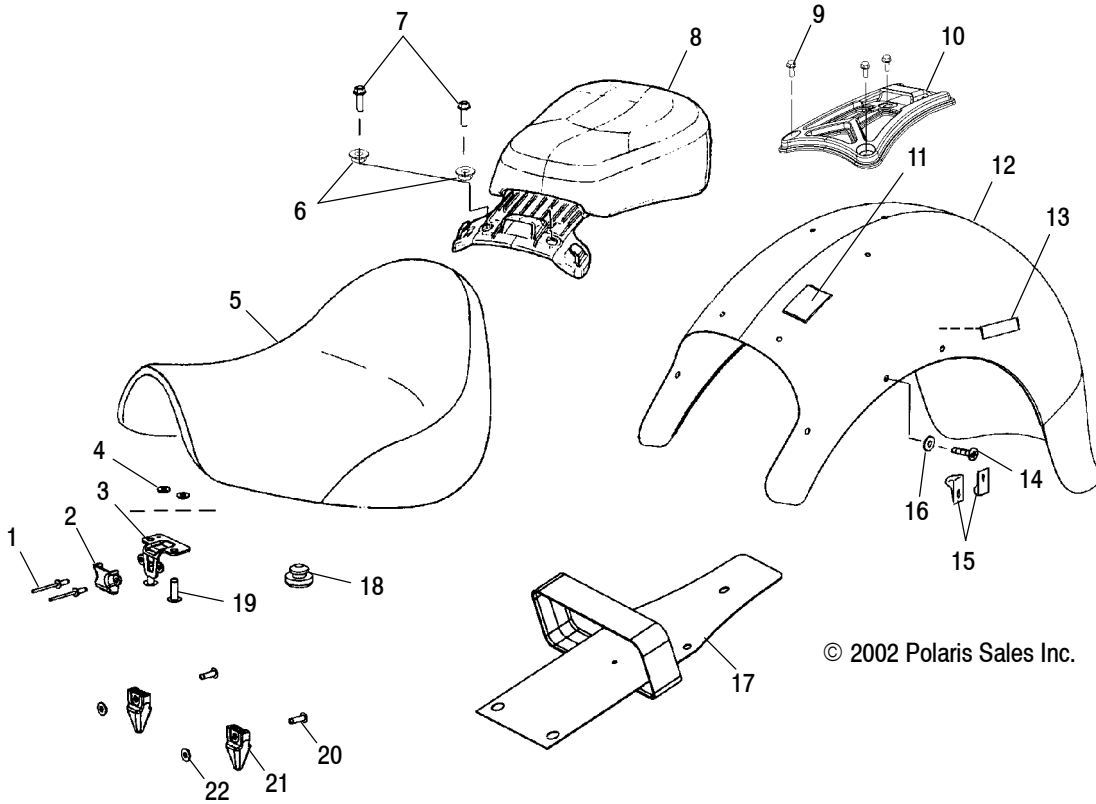
Ref.	Part No.	Qty.	Description
	7079796	1	Decal, Patent Pending (Bilingual)
1	7079205	1	Decal, Warning, Operate, Fuel (Bilingual)
2	7078869	1	Badge, Tank, RH (Nickel Plated)

Ref.	Part No.	Qty.	Description
3	7078868	1	Badge, Tank, LH (Nickel Plated)
4	7079820	1	Decal, Fuse Box

1/03

## SEAT and REAR FENDER

CLASSIC CRUISER V03CB16CA and CLASSIC CRUISER V03CB16CB and CLASSIC CRUISER V03CB16CC and CLASSIC CRUISER V03CB16CD and CLASSIC CRUISER V03CB16DA and CLASSIC CRUISER V03CB16DB and CLASSIC CRUISER V03CB16DC and CLASSIC CRUISER V03CB16DD and CLASSIC CRUISER V03CB16LA and CLASSIC CRUISER V03CB16LB and CLASSIC CRUISER V03CB16LC and CLASSIC CRUISER V03CB16LD and CLASSIC CRUISER V03CB16UA and CLASSIC CRUISER V03CB16UB and CLASSIC CRUISER V03CB16UC and CLASSIC CRUISER V03CB16UD



© 2002 Polaris Sales Inc.

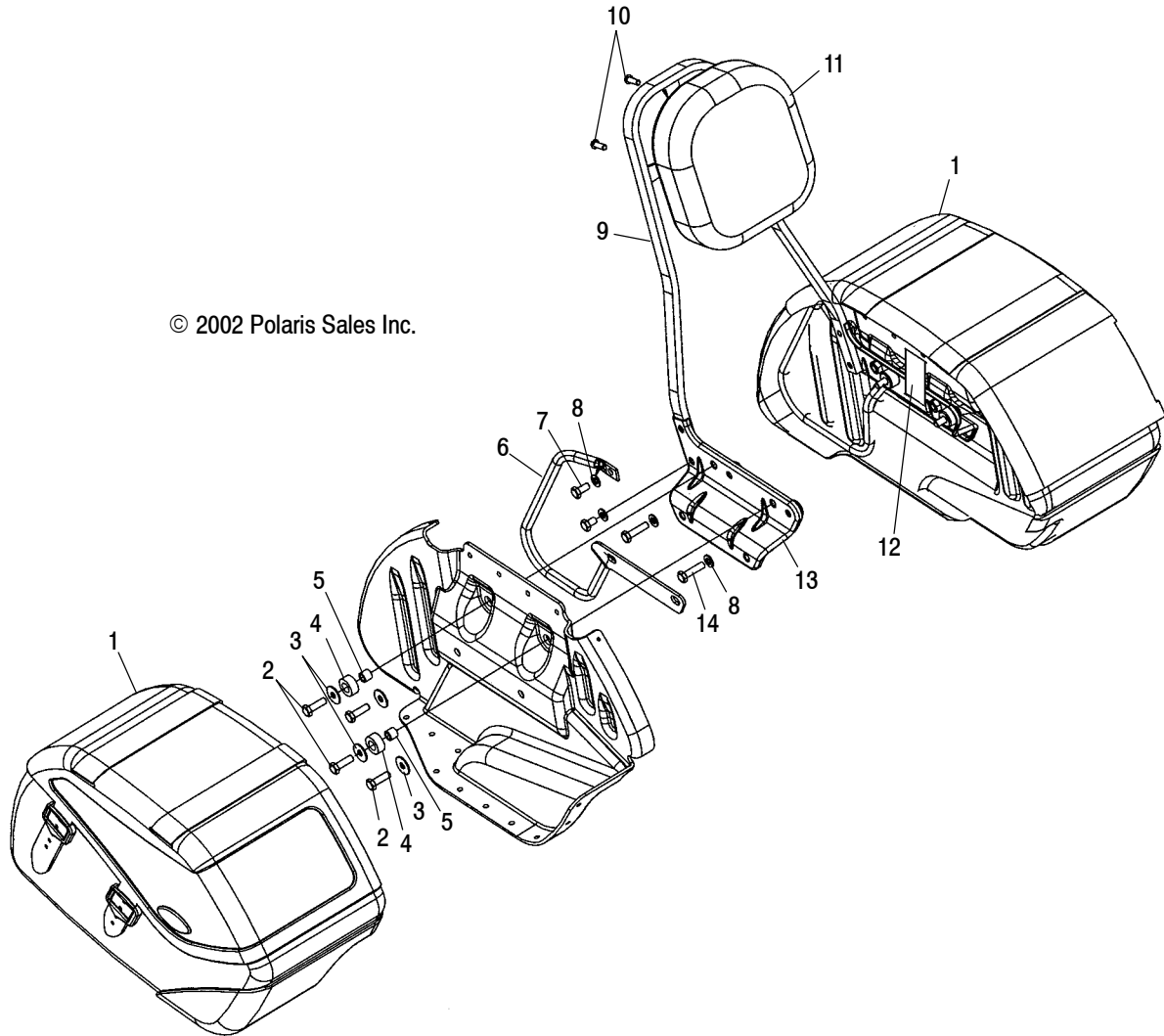
Part numbers may have changed since this microfiche was issued. To ensure that correct parts are received, refer to PartSmart, which is updated monthly.

Ref.	Part No.	Qty.	Description
1	7661092	2	Rivet
2	5433698	1	Shield, Seat Bracket
3	5243971	1	Bracket, Seat Lock
4	7556133	2	Washer, Flat
5	2683135	1	Seat
6	7556146	2	Washer, Shoulder
7	7517751	2	Screw
8	2682529	1	Asm., Tandem Seat
9	7517705	3	Screw
10	5433482	1	Bracket, Tandem Seat
11	5811941	2	Pad, Rubber, Tandem Seat
12	1013278B3	1	Fender, Rear, Yellow/Black
	1013278B2	1	Fender, Rear, Red/Silver
	1013278-266	1	Fender, Rear, Black
	1013278B1	1	Fender, Rear, Blue/Silver
	1013278-341	1	Fender, Rear, Sonic Blue
	1013278-342	1	Fender, Rear, Solar Red
	1013278-388	1	Fender, Rear, Yellow
	1013278-384	1	Fender, Rear, Flame
	1013278B4	1	Fender, Rear, Turquoise/White

Ref.	Part No.	Qty.	Description
13	5433865	2	Reflector, Red
14	7518155	6	Screw
15	7080737	5	Clip, Electrical
16	5133702	6	Bushing, Fender, Rear
17	2682455	1	Asm., Seat Strap
18	5412067	2	Bumper, Rubber
19	7661081	2	Rivet
20	7621462	2	Rivet
21	5412282	1	Cone, Alignment
22	7555746	2	Washer

# SADDLEBAG/BACKREST

CLASSIC CRUISER V03CB16CA and CLASSIC CRUISER V03CB16CB and CLASSIC CRUISER V03CB16CC and CLASSIC CRUISER V03CB16CD and CLASSIC CRUISER V03CB16DA and CLASSIC CRUISER V03CB16DB and CLASSIC CRUISER V03CB16DC and CLASSIC CRUISER V03CB16DD and CLASSIC CRUISER V03CB16LA and CLASSIC CRUISER V03CB16LB and CLASSIC CRUISER V03CB16LC and CLASSIC CRUISER V03CB16LD and CLASSIC CRUISER V03CB16UA and CLASSIC CRUISER V03CB16UB and CLASSIC CRUISER V03CB16UC and CLASSIC CRUISER V03CB16UD



© 2002 Polaris Sales Inc.

Part numbers may have changed since this microfiche was issued. To ensure that correct parts are received, refer to PartSmart, which is updated monthly.

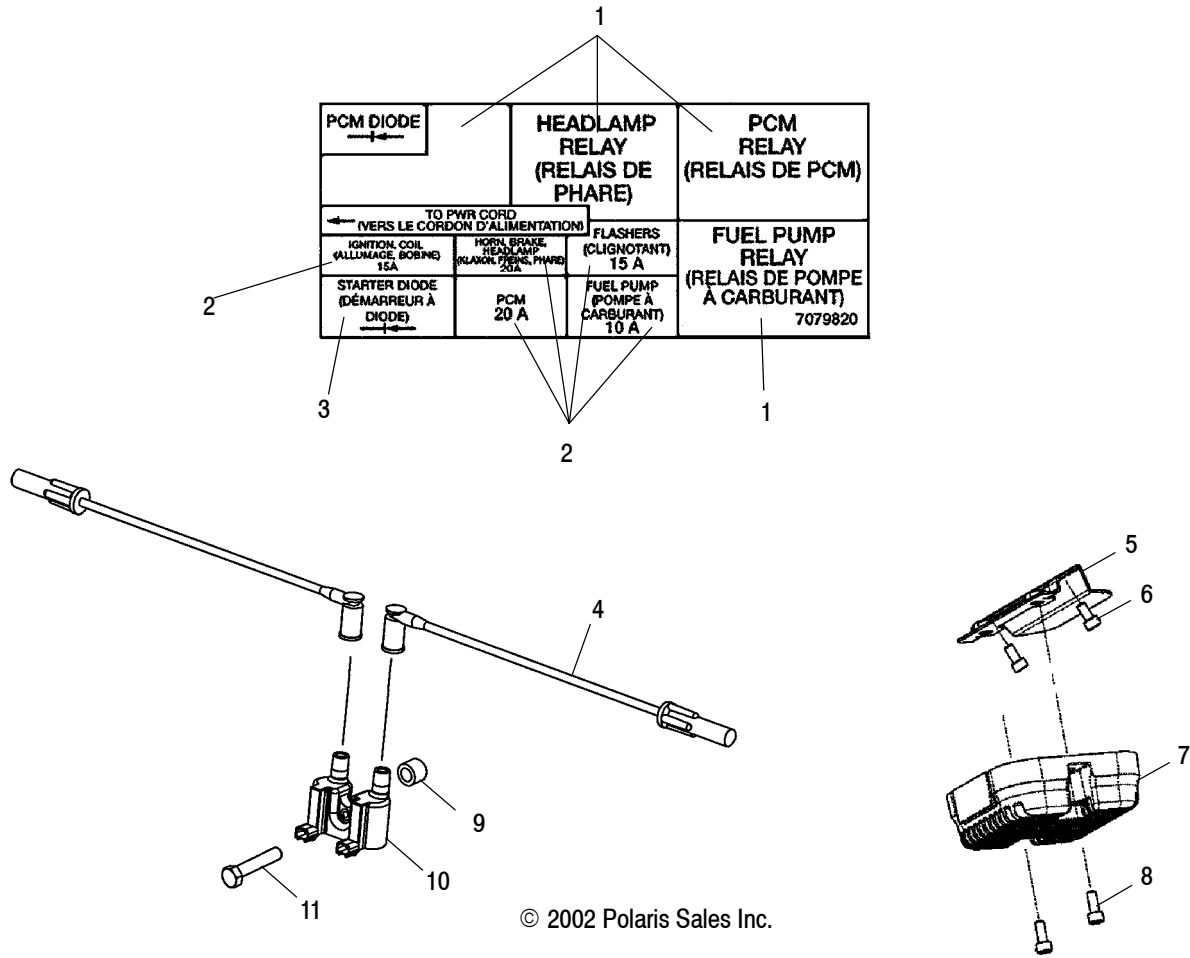
Ref.	Part No.	Qty.	Description
1	2632538	1	Asm., Saddlebag, LH
	2632539	1	Asm., Saddlebag, RH
2	7517826	8	Screw
3	7556045	8	Washer, Flat
4	5411868	4	Spacer, Rubber, Bag Mount
5	5133018	4	Spacer, Steel, Bag Mount
6	1013761	1	Hoop, Saddlebag Support, LH
	1013762	1	Hoop, Saddlebag Support, RH
7	7517888	2	Screw

Ref.	Part No.	Qty.	Description
8	7556164	8	Washer, Flat
9	1013424	1	Sissybar
10	7517889	3	Screw
11	2682673	1	Pad, Backrest
12	7079440	1	Decal, Warning, Saddlebag
13	1013428	1	Bracket, Saddlebag, LH
	1013429	1	Bracket, Saddlebag, RH
14	7517835	4	Screw

8/02

# ELECTRICAL

CLASSIC CRUISER V03CB16CA and CLASSIC CRUISER V03CB16CB and CLASSIC CRUISER V03CB16CC and CLASSIC CRUISER V03CB16CD and CLASSIC CRUISER V03CB16DA and CLASSIC CRUISER V03CB16DB and CLASSIC CRUISER V03CB16DC and CLASSIC CRUISER V03CB16DD and CLASSIC CRUISER V03CB16LA and CLASSIC CRUISER V03CB16LB and CLASSIC CRUISER V03CB16LC and CLASSIC CRUISER V03CB16LD and CLASSIC CRUISER V03CB16UA and CLASSIC CRUISER V03CB16UB and CLASSIC CRUISER V03CB16UC and CLASSIC CRUISER V03CB16UD



© 2002 Polaris Sales Inc.

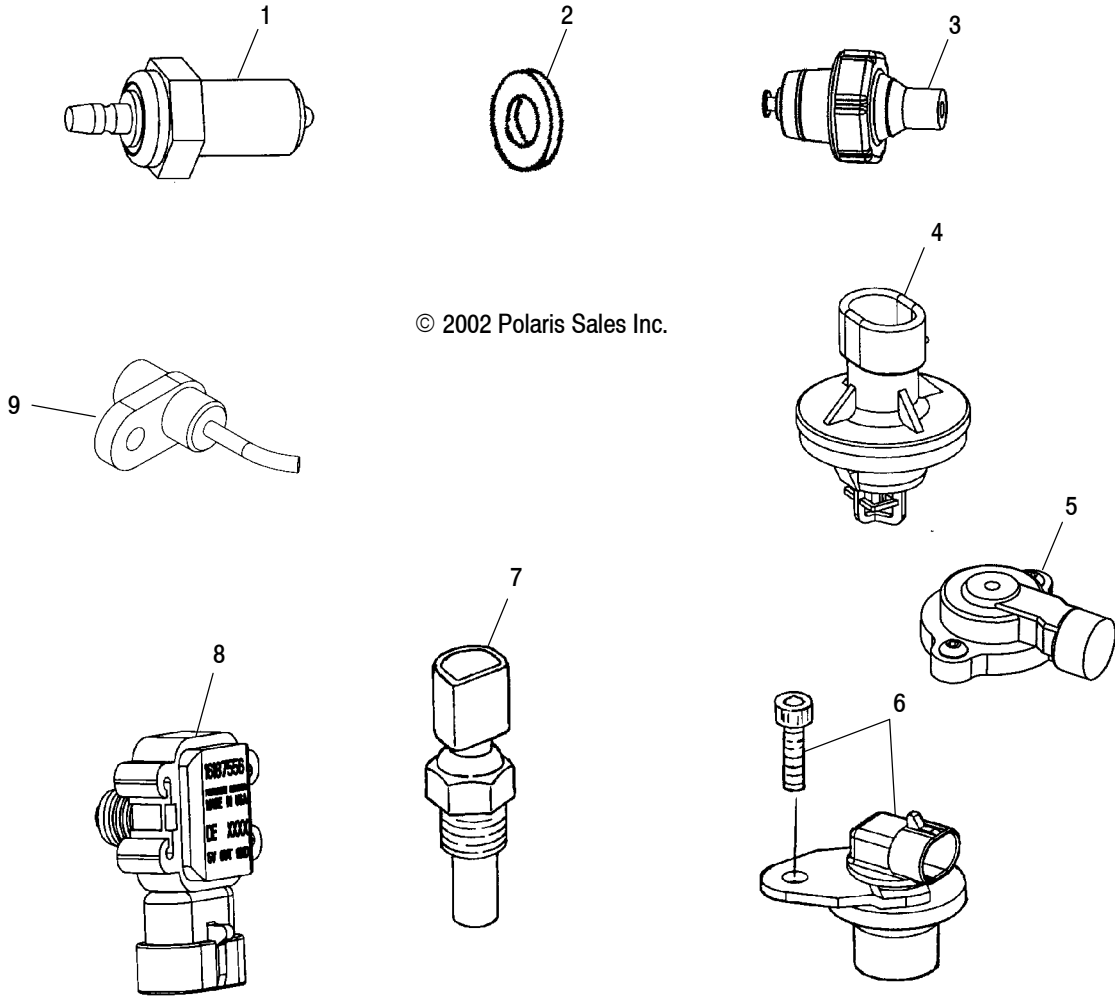
Part numbers may have changed since this microfiche was issued. To ensure that correct parts are received, refer to PartSmart, which is updated monthly.

Ref.	Part No.	Qty.	Description
	7079820	1	Decal, Fuse Box
	2460692	1	Harness, Turn Signal, Rear, Right
	2460695	1	Harness, Turn Signal, Rear, Left
	4010153	1	Connector, Fender
	4010154	1	Lock, Connector
	2461101	1	Harness, Main Wire
	7080930	1	Clip, Wire Harness
	7517272	1	Screw (Ground)
	2461135	1	Harness, Injector
1	2410314	3	Relay, Micro
2	2434016	1	Fuse, 10 Amp.
	2434017	2	Fuse, 20 Amp.
	2410280	2	Fuse, 15 Amp.

Ref.	Part No.	Qty.	Description
3	2434019	2	Diode
4	4010531	2	Lead, Spark Plug Wire
5	1013510	1	Bracket, Voltage Regulator
	1013623	1	Bracket, Voltage Regulator, Silver
6	7517739	2	Screw
7	2410337	1	Regulator, Voltage (Black)
	2410329	1	Regulator, Voltage, Silver
8	7517272	2	Screw
9	5132791	1	Spacer, Coil
10	4010530	1	Coil, Ignition
11	7517973	1	Screw

# ELECTRICAL

CLASSIC CRUISER V03CB16CA and CLASSIC CRUISER V03CB16CB and CLASSIC CRUISER V03CB16CC and CLASSIC CRUISER V03CB16CD and CLASSIC CRUISER V03CB16DA and CLASSIC CRUISER V03CB16DB and CLASSIC CRUISER V03CB16DC and CLASSIC CRUISER V03CB16DD and CLASSIC CRUISER V03CB16LA and CLASSIC CRUISER V03CB16LB and CLASSIC CRUISER V03CB16LC and CLASSIC CRUISER V03CB16LD and CLASSIC CRUISER V03CB16UA and CLASSIC CRUISER V03CB16UB and CLASSIC CRUISER V03CB16UC and CLASSIC CRUISER V03CB16UD



© 2002 Polaris Sales Inc.

Part numbers may have changed since this microfiche was issued. To ensure that correct parts are received, refer to PartSmart, which is updated monthly.

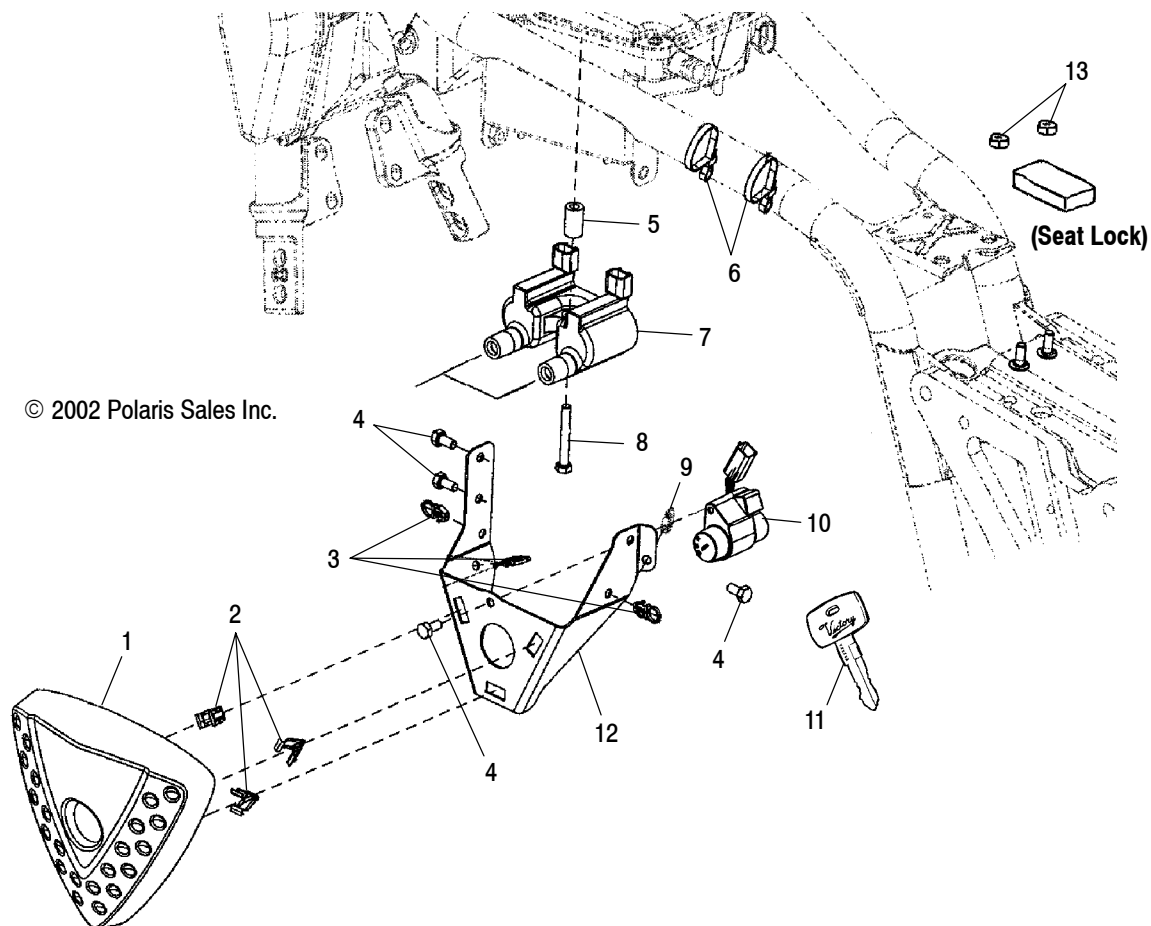
Ref.	Part No.	Qty.	Description
1	4110235	1	Switch, Neutral Indicator
2	7556154	1	Washer, Flat
3	4010649	1	Sensor, Oil Pressure
4	4040077	1	Sensor, Air Temperature
5	4010225	1	Sensor, Throttle Position
	1500201	1	O-Ring

Ref.	Part No.	Qty.	Description
6	4110217	1	Sensor, Crankshaft Position
	7517272	1	Screw
7	4040076	1	Sensor, Engine Temperature
8	4040078	1	Sensor, MAP
9	4010766	1	Sensor, Vehicle Speed

8/02

## IGNITION ASM.

CLASSIC CRUISER V03CB16CA and CLASSIC CRUISER V03CB16CB and CLASSIC CRUISER V03CB16CC and CLASSIC CRUISER V03CB16CD and CLASSIC CRUISER V03CB16DA and CLASSIC CRUISER V03CB16DB and CLASSIC CRUISER V03CB16DC and CLASSIC CRUISER V03CB16DD and CLASSIC CRUISER V03CB16LA and CLASSIC CRUISER V03CB16LB and CLASSIC CRUISER V03CB16LC and CLASSIC CRUISER V03CB16LD and CLASSIC CRUISER V03CB16UA and CLASSIC CRUISER V03CB16UB and CLASSIC CRUISER V03CB16UC and CLASSIC CRUISER V03CB16UD



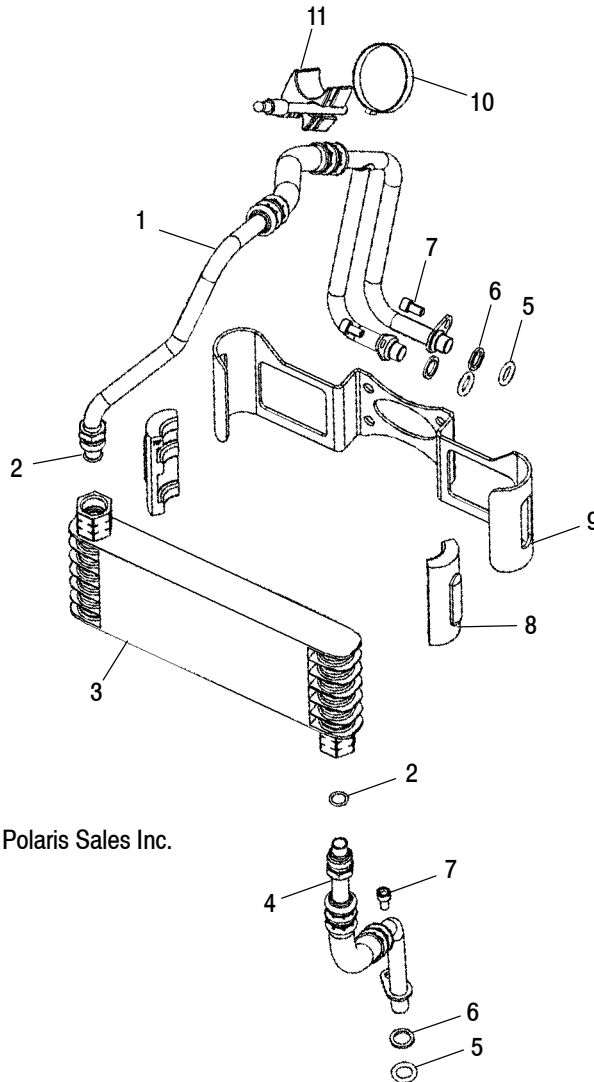
Ref. Part No.	Qty.	Description
1	5245659	1 Cover, Ignition/Coil
2	7670136	3 Clip, Tinnerman
3	7080756	3 Clip, Snap-In
4	7517438	4 Screw
5	5132791	2 Spacer
6	7081033	2 Cable Tie
7	2410266	1 Coil, Ignition

Ref. Part No.	Qty.	Description
8	7517973	1 Screw
9	5433140	1 Dart, 1/2 Inch
10	4010359	1 Switch, Ignition (Incl. Front Fork Lock and Seat Release)
11	4110239	1 Key, Ignition
12	5245658-067	1 Bracket, Ignition, Black
	5245658-385	1 Bracket, Ignition, Silver
13	7547120	2 Nut

9/02

# OIL COOLING

CLASSIC CRUISER V03CB16CA and CLASSIC CRUISER V03CB16CB and CLASSIC CRUISER V03CB16CC and CLASSIC CRUISER V03CB16CD and CLASSIC CRUISER V03CB16DA and CLASSIC CRUISER V03CB16DB and CLASSIC CRUISER V03CB16DC and CLASSIC CRUISER V03CB16DD and CLASSIC CRUISER V03CB16LA and CLASSIC CRUISER V03CB16LB and CLASSIC CRUISER V03CB16LC and CLASSIC CRUISER V03CB16LD and CLASSIC CRUISER V03CB16UA and CLASSIC CRUISER V03CB16UB and CLASSIC CRUISER V03CB16UC and CLASSIC CRUISER V03CB16UD



© 2002 Polaris Sales Inc.

Part numbers may have changed since this microfiche was issued. To ensure that correct parts are received, refer to PartSmart, which is updated monthly.

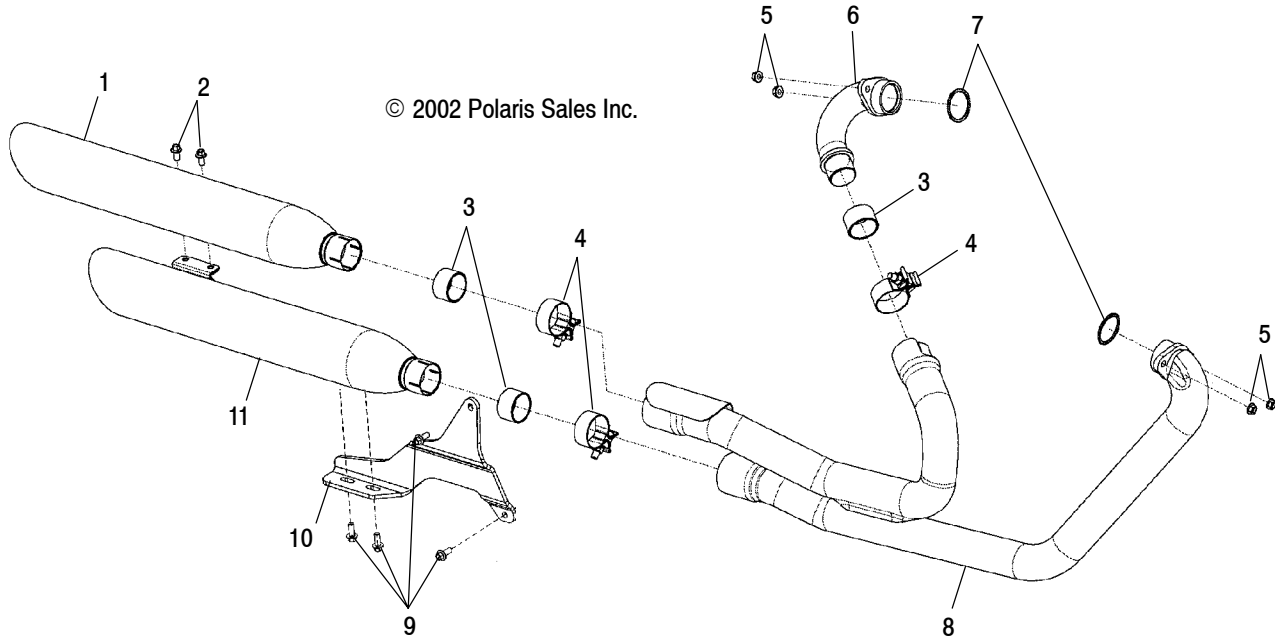
Ref.	Part No.	Qty.	Description
1	5334034	1	Line, Cooler Inlet
2	5412027	2	O-Ring
3	1240112-067 1240112-385	1	Cooler, Oil, Black
		1	Cooler, Oil, Silver
4	5334191	1	Line, Cooler Outlet
5	5411356	3	O-Ring
6	7556113	3	Washer, Flat

Ref.	Part No.	Qty.	Description
7	7517405	3	Screw
8	5412105	2	Isolator, Cooler
9	5245528-067 5245528-385	1	Bracket, Cooler Mount, Black
		1	Bracket, Cooler Mount, Silver
10	7080906	1	Cable Tie, Heavy Duty
11	5412188	1	Mount, Rubber

11/02

# EXHAUST SYSTEM

CLASSIC CRUISER V03CB16CA and CLASSIC CRUISER V03CB16CB and CLASSIC CRUISER V03CB16CC and CLASSIC CRUISER V03CB16CD and CLASSIC CRUISER V03CB16DA and CLASSIC CRUISER V03CB16DB and CLASSIC CRUISER V03CB16DC and CLASSIC CRUISER V03CB16DD and CLASSIC CRUISER V03CB16LA and CLASSIC CRUISER V03CB16LB and CLASSIC CRUISER V03CB16LC and CLASSIC CRUISER V03CB16LD and CLASSIC CRUISER V03CB16UA and CLASSIC CRUISER V03CB16UB and CLASSIC CRUISER V03CB16UC and CLASSIC CRUISER V03CB16UD



Part numbers may have changed since this microfiche was issued. To ensure that correct parts are received, refer to PartSmart, which is updated monthly.

Ref. Part No.	Qty.	Description
1	1	Muffler, Rear (Incl. 4)(US)
	1	Muffler, Rear (Incl. 4)(Can)
2	2	Screw
3	3	Gasket, Exhaust, Muffler
4	3	Clamp, Muffler
5	4	Nut
6	1	Manifold, Exhaust, Rear
7	2	Gasket, Exhaust Sealing

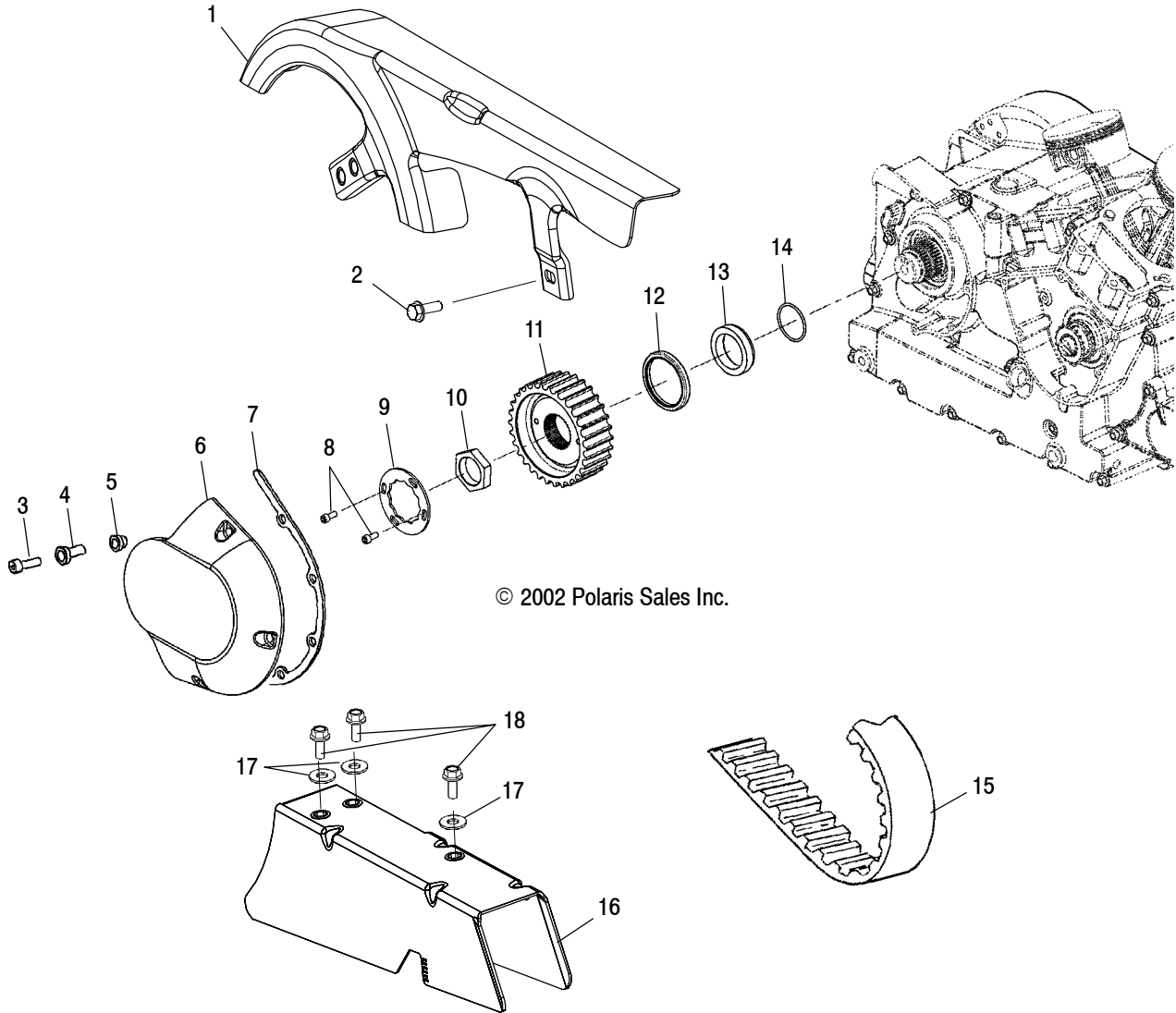
Ref. Part No.	Qty.	Description
8	1	Asm., Exhaust, Header, Pipe
	8	Clamp, Heat Shield
	1	Shield, Exhaust, Rear
	1	Shield, Exhaust, Front
9	4	Screw (Black)
	4	Screw (Silver)
10	1	Bracket, Exhaust, Rear, Black
	1	Bracket, Exhaust, Rear, Silver
11	1	Muffler, Front (Incl. 4)(US)
	1	Muffler, Front (Incl. 4)(Can)

12/02



# FRONT DRIVE SPROCKET

CLASSIC CRUISER V03CB16CA and CLASSIC CRUISER V03CB16CB and CLASSIC CRUISER V03CB16CC and CLASSIC CRUISER V03CB16CD and CLASSIC CRUISER V03CB16DA and CLASSIC CRUISER V03CB16DB and CLASSIC CRUISER V03CB16DC and CLASSIC CRUISER V03CB16DD and CLASSIC CRUISER V03CB16LA and CLASSIC CRUISER V03CB16LB and CLASSIC CRUISER V03CB16LC and CLASSIC CRUISER V03CB16LD and CLASSIC CRUISER V03CB16UA and CLASSIC CRUISER V03CB16UB and CLASSIC CRUISER V03CB16UC and CLASSIC CRUISER V03CB16UD



© 2002 Polaris Sales Inc.

Part numbers may have changed since this microfiche was issued. To ensure that correct parts are received, refer to PartSmart, which is updated monthly.

Ref.	Part No.	Qty.	Description
1	1013117	1	Guard, Belt, Upper
2	7518043	2	Screw
3	7517301	3	Screw
4	7661156	3	Spacer
5	5412070	3	Isolator
6	5133266	1	Cover, Sprocket
7	5412260	1	Gasket, Sprocket Cover
8	7517272	2	Screw
9	5244114	1	Lock, Plate

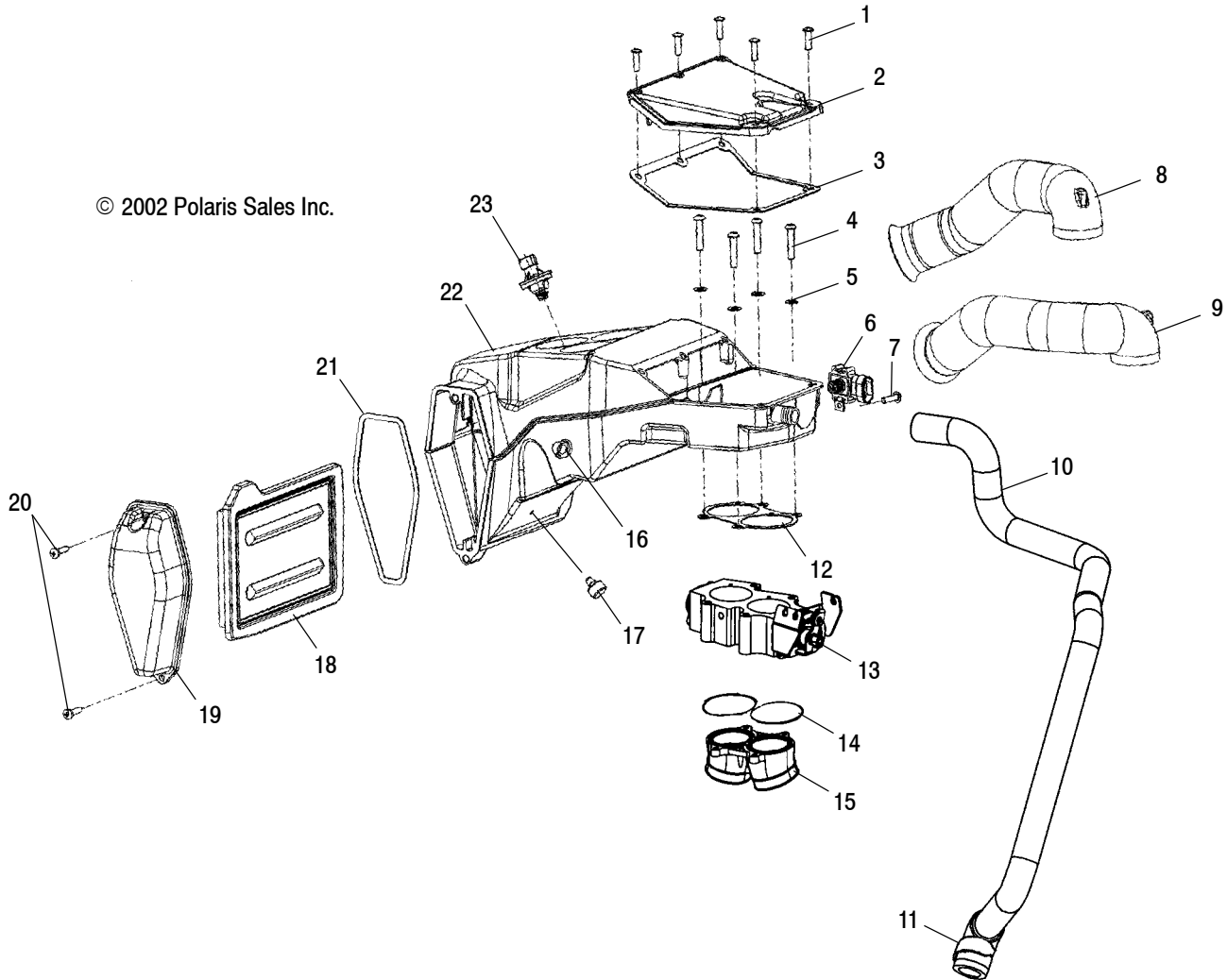
Ref.	Part No.	Qty.	Description
10	7547209	1	Nut
11	5133262	1	Sprocket, Drive, 30T
12	3610057	1	Seal
13	5133394	1	Sleeve, Seal
14	3610091	1	O-Ring
15	3211088	1	Belt, Drive
16	1013435	1	Guard, Belt, Lower
17	7556064	3	Washer, Flat
18	7517770	3	Screw

9/02

# AIR BOX

CLASSIC CRUISER V03CB16CA and CLASSIC CRUISER V03CB16CB and CLASSIC CRUISER V03CB16CC and CLASSIC CRUISER V03CB16CD and CLASSIC CRUISER V03CB16DA and CLASSIC CRUISER V03CB16DB and CLASSIC CRUISER V03CB16DC and CLASSIC CRUISER V03CB16DD and CLASSIC CRUISER V03CB16LA and CLASSIC CRUISER V03CB16LB and CLASSIC CRUISER V03CB16LC and CLASSIC CRUISER V03CB16LD and CLASSIC CRUISER V03CB16UA and CLASSIC CRUISER V03CB16UB and CLASSIC CRUISER V03CB16UC and CLASSIC CRUISER V03CB16UD

© 2002 Polaris Sales Inc.



Part numbers may have changed since this microfiche was issued. To ensure that correct parts are received, refer to PartSmart, which is updated monthly.

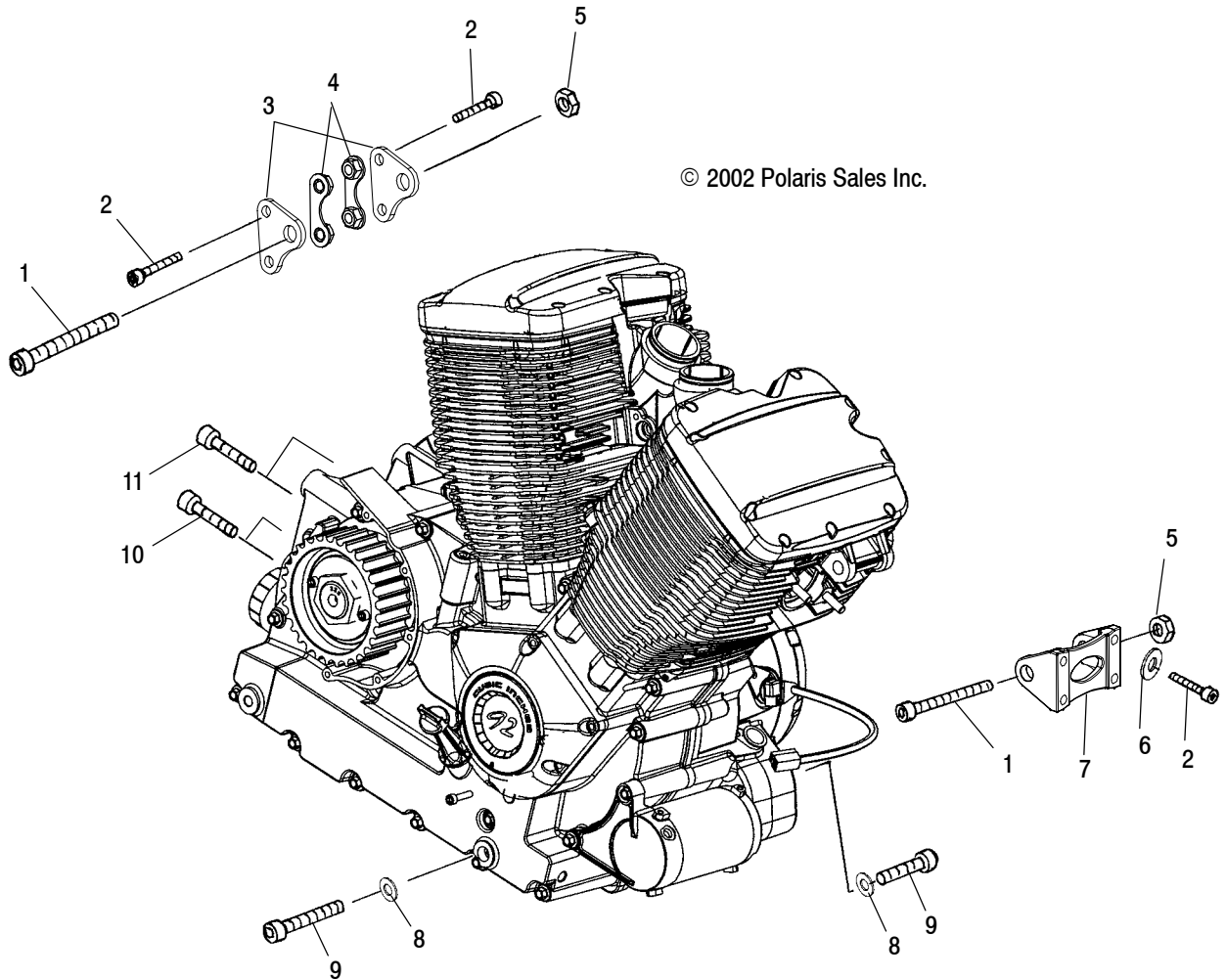
Ref.	Part No.	Qty.	Description
1	7517842	6	Screw
2	5433466	1	Cover, Airbox
3	5811867	1	Seal, Airbox Cover
4	7517885	4	Screw, Button Head
5	7556121	4	Washer, Flat
6	-----	1	Sensor, MAP (See Electrical Pg. C1, Ref. 8)
7	7517842	1	Screw
8	5433471	1	Tube, Intake, RH
9	5433470	1	Tube, Intake, LH
10	5434070	1	Hose, Breather
11	7080782	1	Clamp, Breather Hose
12	5811908	1	Gasket, Airbox

Ref.	Part No.	Qty.	Description
13	-----	1	Asm., Throttle Body (See Fuel System Pg. D8, Ref. 15)
14	5412259	2	O-Ring
15	1253335	1	Adapter, Throttle Body
16	5432302	1	Clip, Retainer
17	5811869	1	Bumper, Rubber
18	7080858	1	Filter, Air
19	5433469	1	Cover, Air Filter
20	7517816	2	Screw
21	5811866	1	Seal, Filter, Access Hatch
22	1013720	1	Airbox
23	-----	1	Sensor, Air Temperature (See Electrical Pg. C1, Ref. 4)

9/02

# ENGINE MOUNTING

CLASSIC CRUISER V03CB16CA and CLASSIC CRUISER V03CB16CB and CLASSIC CRUISER V03CB16CC and CLASSIC CRUISER V03CB16CD and CLASSIC CRUISER V03CB16DA and CLASSIC CRUISER V03CB16DB and CLASSIC CRUISER V03CB16DC and CLASSIC CRUISER V03CB16DD and CLASSIC CRUISER V03CB16LA and CLASSIC CRUISER V03CB16LB and CLASSIC CRUISER V03CB16LC and CLASSIC CRUISER V03CB16LD and CLASSIC CRUISER V03CB16UA and CLASSIC CRUISER V03CB16UB and CLASSIC CRUISER V03CB16UC and CLASSIC CRUISER V03CB16UD



© 2002 Polaris Sales Inc.

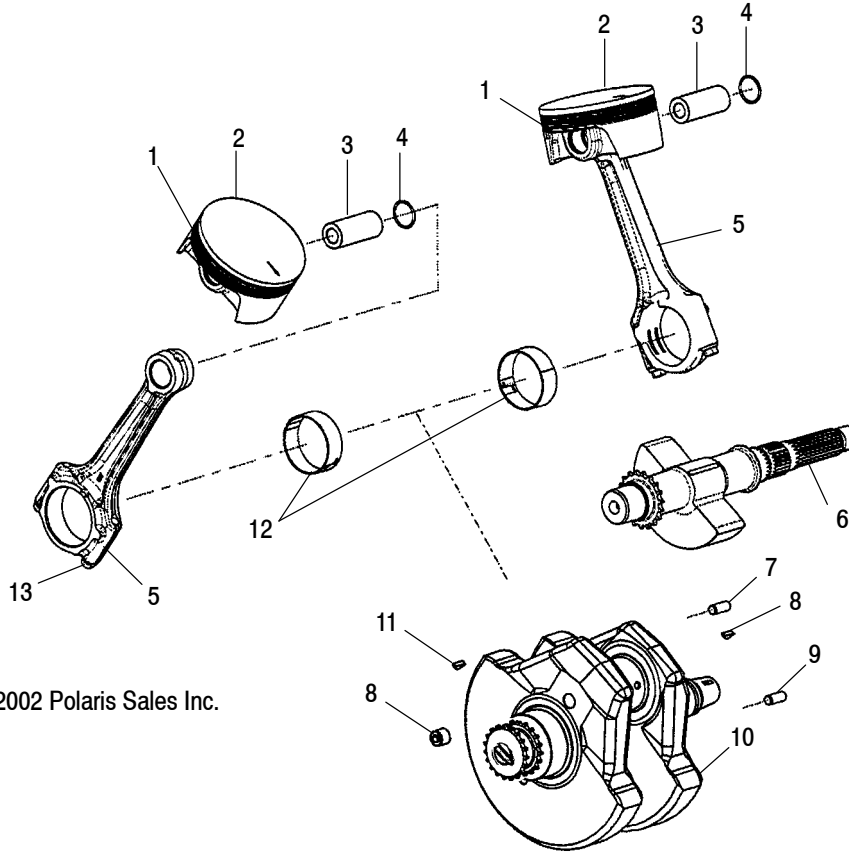
Part numbers may have changed since this microfiche was issued. To ensure that correct parts are received, refer to PartSmart, which is updated monthly.

Ref.	Part No.	Qty.	Description
1	7518125	2	Screw
2	7518121	8	Screw
3	5211830-408 5211830-236	2 2	Bracket, Engine Mount, Rear, ZNB Bracket, Engine Mount, Rear, ZNC
4	1012747	2	Bracket, Nut Retainer
5	7547232	2	Nut
6	7556257	4	Washer, Flat

Ref.	Part No.	Qty.	Description
7	5131664-408 5131664-236	1 1	Bracket, Upper Front, ZNB Bracket, Upper Front, ZNC
8	7556234	2	Washer, Flat
9	7518124	2	Screw
10	7518122	2	Screw
11	7518154	2	Screw

# CRANKSHAFT

CLASSIC CRUISER V03CB16CA and CLASSIC CRUISER V03CB16CB and CLASSIC CRUISER V03CB16CC and CLASSIC CRUISER V03CB16CD and CLASSIC CRUISER V03CB16DA and CLASSIC CRUISER V03CB16DB and CLASSIC CRUISER V03CB16DC and CLASSIC CRUISER V03CB16DD and CLASSIC CRUISER V03CB16LA and CLASSIC CRUISER V03CB16LB and CLASSIC CRUISER V03CB16LC and CLASSIC CRUISER V03CB16LD and CLASSIC CRUISER V03CB16UA and CLASSIC CRUISER V03CB16UB and CLASSIC CRUISER V03CB16UC and CLASSIC CRUISER V03CB16UD



© 2002 Polaris Sales Inc.

Part numbers may have changed since this microfiche was issued. To ensure that correct parts are received, refer to PartSmart, which is updated monthly.

Ref.	Part No.	Qty.	Description
1	2201862	2	Kit, Piston Ring (Incl. Top, Middle, Bottom Rings)
2	3021147	2	Asm., Piston (Incl. Piston, Rings, Clips, Pin)
3	5131860	2	Pin, Wrist
4	7710479	4	Ring, Retaining
5	3021196	2	Asm., Connecting Rod (Incl. 13)
6	5133674	1	Shaft, Balance
7	7661045	1	Pin, Solid

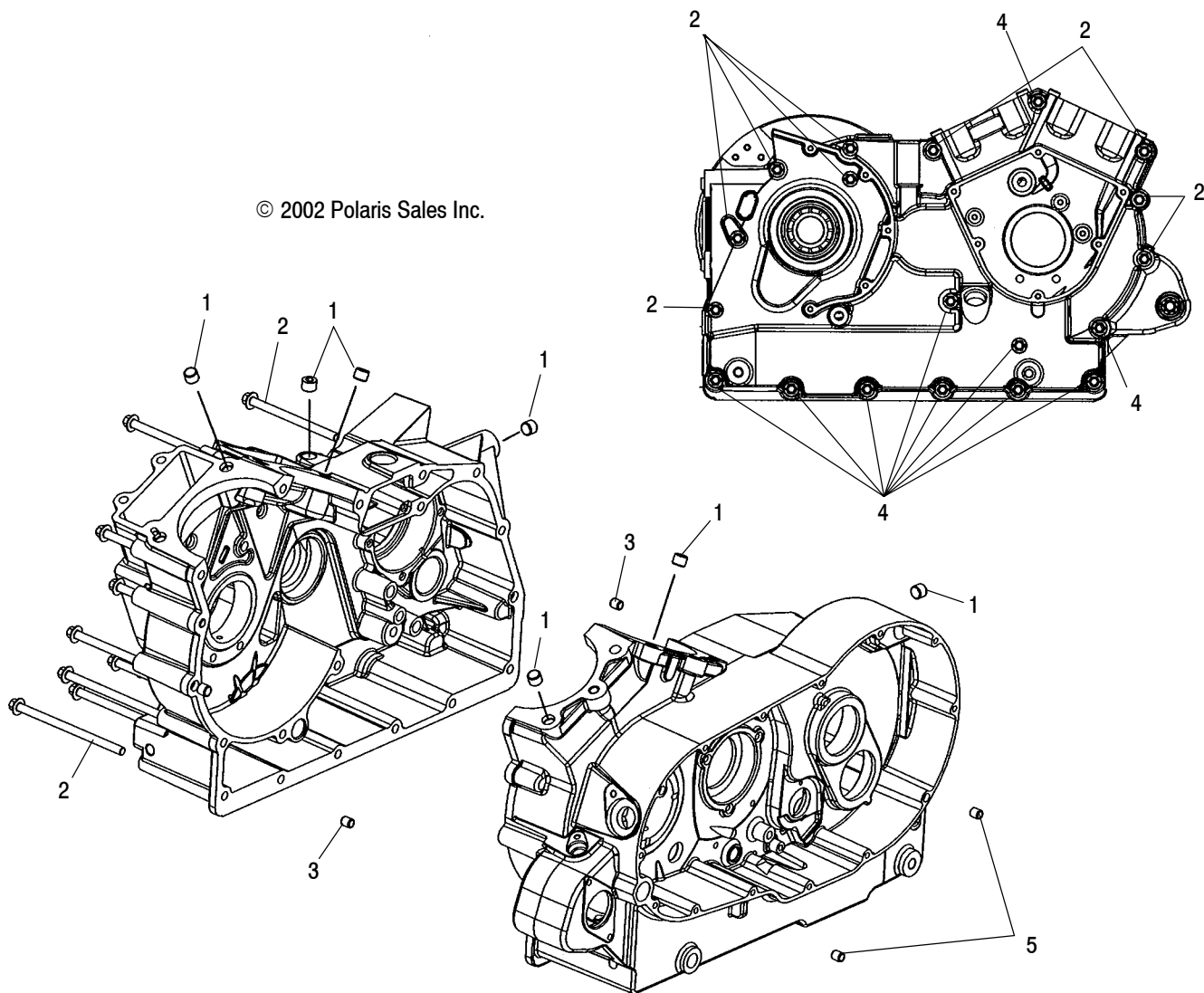
Ref.	Part No.	Qty.	Description
8	7721122	2	Key
9	7663010	1	Pin, Solid
10	3021274	1	Asm., Crankshaft (Incl. 8,11)
11	7052320	1	Plug
12	3514390-067	4	Bearing, Rod, Black
	3514390-159	4	Bearing, Rod, Orange
	3514390-027	4	Bearing, Rod, Blue
13	7517937	4	Screw

4/03

# CRANKCASE

CLASSIC CRUISER V03CB16CA and CLASSIC CRUISER V03CB16CB and CLASSIC CRUISER V03CB16CC and CLASSIC CRUISER V03CB16CD and CLASSIC CRUISER V03CB16DA and CLASSIC CRUISER V03CB16DB and CLASSIC CRUISER V03CB16DC and CLASSIC CRUISER V03CB16DD and CLASSIC CRUISER V03CB16LA and CLASSIC CRUISER V03CB16LB and CLASSIC CRUISER V03CB16LC and CLASSIC CRUISER V03CB16LD and CLASSIC CRUISER V03CB16UA and CLASSIC CRUISER V03CB16UB and CLASSIC CRUISER V03CB16UC and CLASSIC CRUISER V03CB16UD

© 2002 Polaris Sales Inc.



Part numbers may have changed since this microfiche was issued. To ensure that correct parts are received, refer to PartSmart, which is updated monthly.

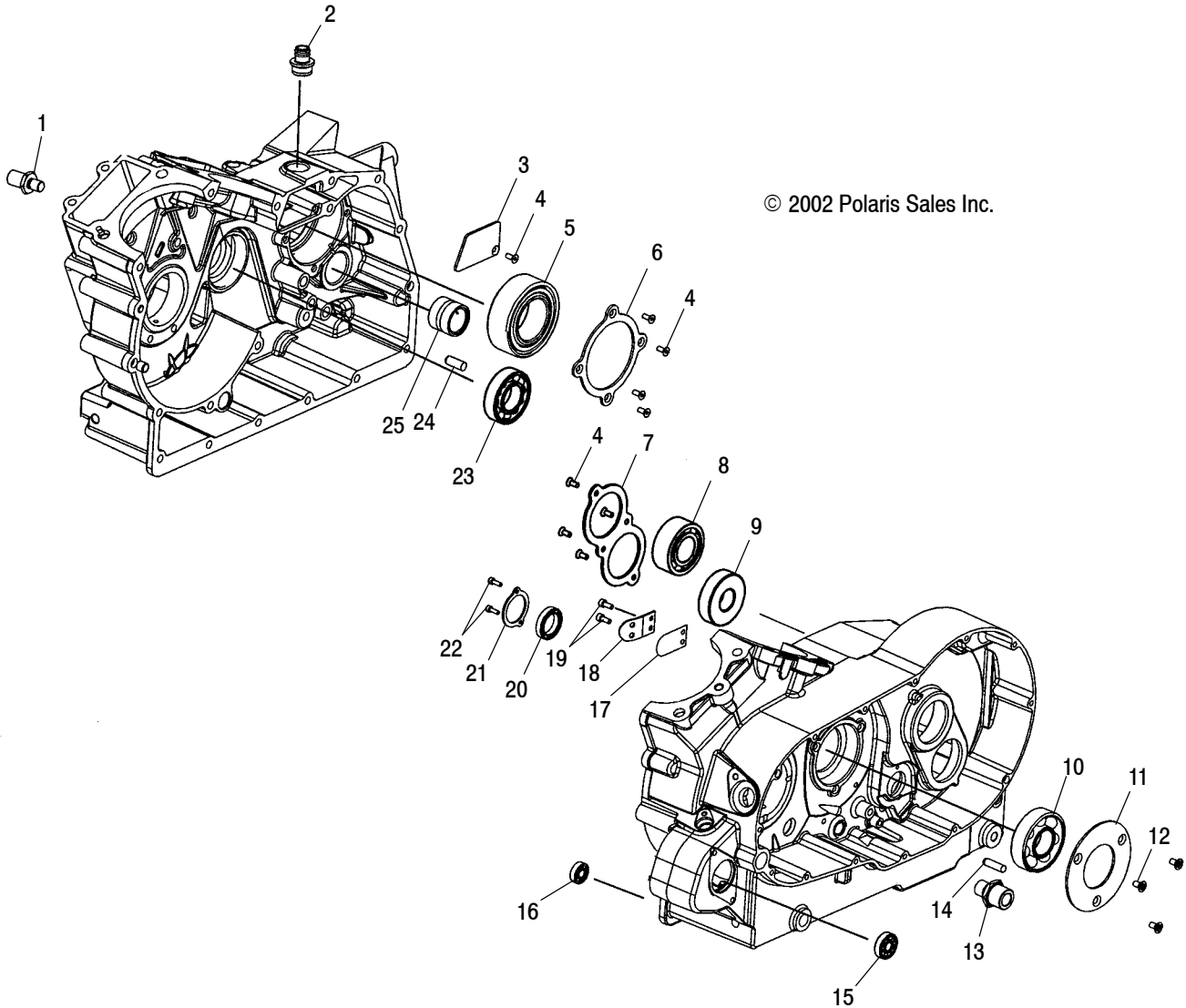
Ref. Part No.	Qty.	Description
1202542	1	Asm., Crankcase (Incl. 1,3,5 and Bearings)
1202543	1	Asm., Crankcase, Silver (Incl. 1,3,5 and Bearings)
1 7663008	6	Dowel

Ref. Part No.	Qty.	Description
2 7517409	9	Screw
3 7663005	2	Dowel
4 7517719	10	Screw
5 7663007	2	Dowel

9/02

## CRANKCASE BEARINGS

CLASSIC CRUISER V03CB16CA and CLASSIC CRUISER V03CB16CB and CLASSIC CRUISER V03CB16CC and CLASSIC CRUISER V03CB16CD and CLASSIC CRUISER V03CB16DA and CLASSIC CRUISER V03CB16DB and CLASSIC CRUISER V03CB16DC and CLASSIC CRUISER V03CB16DD and CLASSIC CRUISER V03CB16LA and CLASSIC CRUISER V03CB16LB and CLASSIC CRUISER V03CB16LC and CLASSIC CRUISER V03CB16LD and CLASSIC CRUISER V03CB16UA and CLASSIC CRUISER V03CB16UB and CLASSIC CRUISER V03CB16UC and CLASSIC CRUISER V03CB16UD



Part numbers may have changed since this microfiche was issued. To ensure that correct parts are received, refer to PartSmart, which is updated monthly.

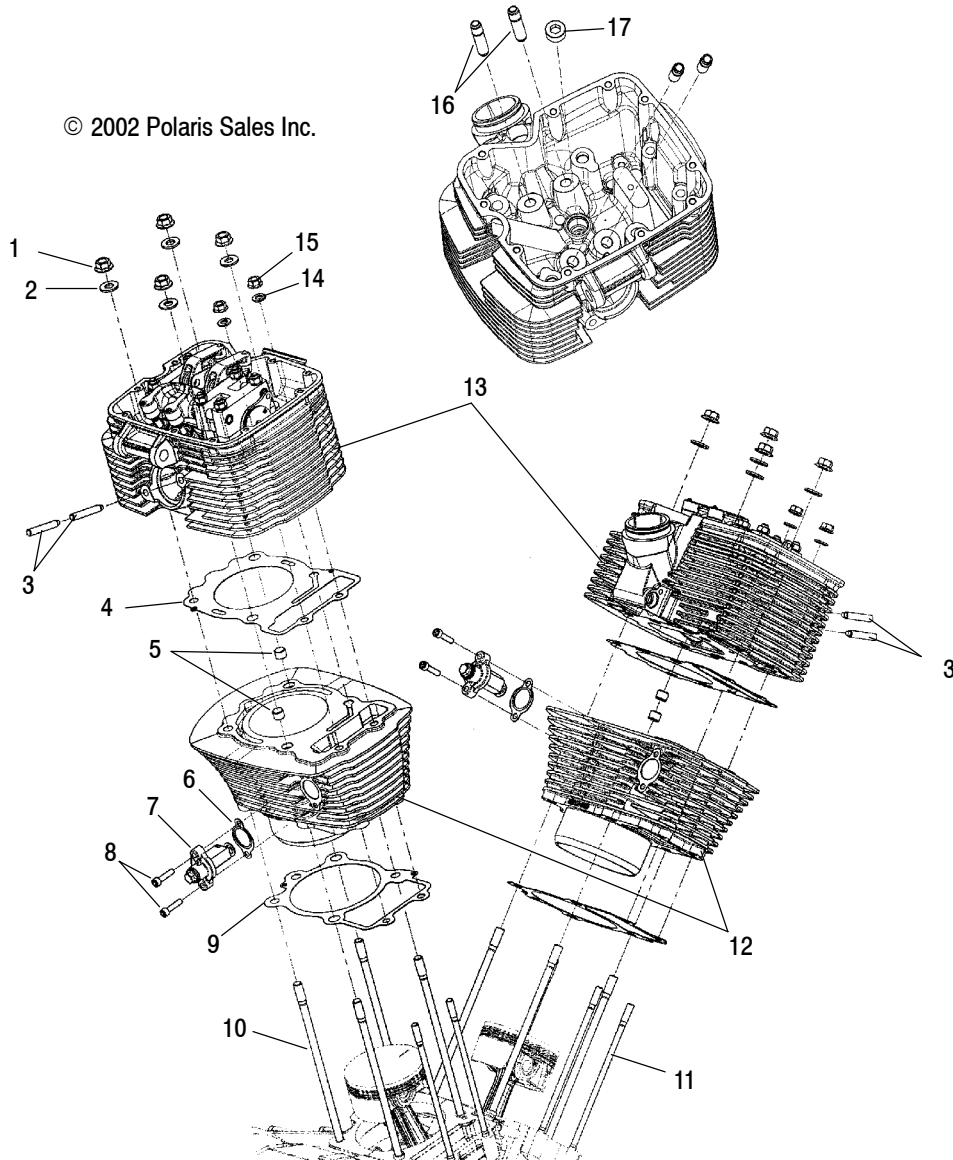
Ref.	Part No.	Qty.	Description
1	5010430	1	Adaptor, Cam Chain Guide
2	5132270	1	Fitting, Breather
3	5131792	1	Plate, Breather Baffle
4	7517255	9	Screw
5	3513515	1	Bearing
6	5211817	1	Plate, Bearing Retaining (Main)
7	5211774	1	Plate, Bearing Retaining
8	3513524	1	Bearing, Ball, Double Row
9	3513512	1	Bearing, Ball
10	3514404	1	Bearing, Ball
11	5211773	1	Plate, Retaining, Bearing (Balance)
12	7517598	3	Screw
13	5132139	1	Adaptor, Shift Shaft

Ref.	Part No.	Qty.	Description
14	7661101	1	Pin, Solid
15	3513518	1	Bearing, Ball
16	3514313	1	Bearing, Ball
17	5131793	1	Plate, Reed Valve
18	5131791	1	Plate, Reed Backer
19	7517276	2	Screw
20	3513511	1	Bearing, Ball
21	5244477	1	Plate, Bearing
22	7517797	2	Screw
23	3514426	1	Bearing, Ball
24	7661020	1	Pin, Solid
25	3584007	1	Bearing

## CYLINDER and HEAD

CLASSIC CRUISER V03CB16CA and CLASSIC CRUISER V03CB16CB and CLASSIC CRUISER V03CB16CC and CLASSIC CRUISER V03CB16CD and CLASSIC CRUISER V03CB16DA and CLASSIC CRUISER V03CB16DB and CLASSIC CRUISER V03CB16DC and CLASSIC CRUISER V03CB16DD and CLASSIC CRUISER V03CB16LA and CLASSIC CRUISER V03CB16LB and CLASSIC CRUISER V03CB16LC and CLASSIC CRUISER V03CB16LD and CLASSIC CRUISER V03CB16UA and CLASSIC CRUISER V03CB16UB and CLASSIC CRUISER V03CB16UC and CLASSIC CRUISER V03CB16UD

© 2002 Polaris Sales Inc.



Part numbers may have changed since this microfiche was issued. To ensure that correct parts are received, refer to PartSmart, which is updated monthly.

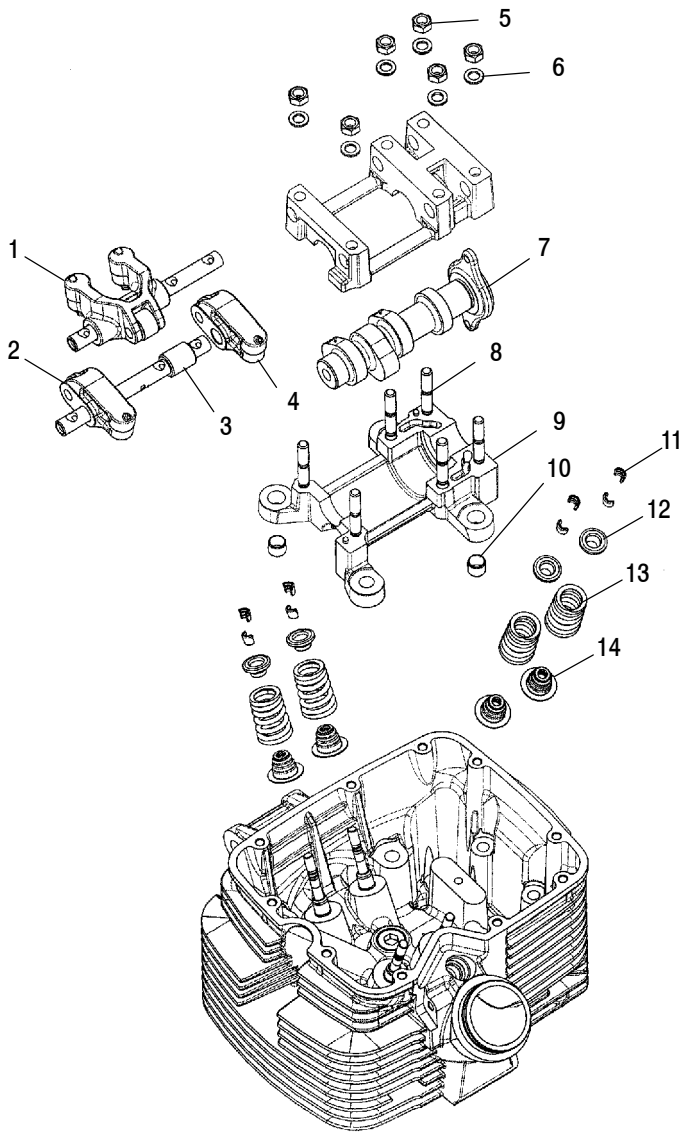
Ref.	Part No.	Qty.	Description
	2202191	1	Kit, Gasket, Top End
	2202192	1	Kit, Gasket, Complete, V92C
1	7547017	8	Nut
2	7555986	8	Washer, Flat
3	5132040	4	Stud, Exhaust Mount
4	5244363	2	Gasket, Head
5	7663008	4	Dowel
6	5830225	2	Gasket, Tensioner
7	3021374	2	Tensioner, Camchain
8	7517259	4	Screw
9	5244365	2	Gasket, Base

Ref.	Part No.	Qty.	Description
10	5132597	8	Stud, Cylinder Mounting
11	5132633	4	Stud, Cylinder Mounting
12	5132410	2	Cylinder
	5132410-431	2	Cylinder, Silver
13	3021128	1	Head, Cylinder, Front (Incl. 16,17)
	3021217	1	Head, Cylinder, Front, Silver (Incl. 16,17)
	3021129	1	Head, Cylinder, Rear (Incl. 16,17)
	3021218	1	Head, Cylinder, Rear, Silver (Incl. 16,17)
14	7556043	4	Washer, Flat
15	7547014	4	Nut
16	3021154	8	Guide, Valve
17	7052315	2	Plug, Pipe

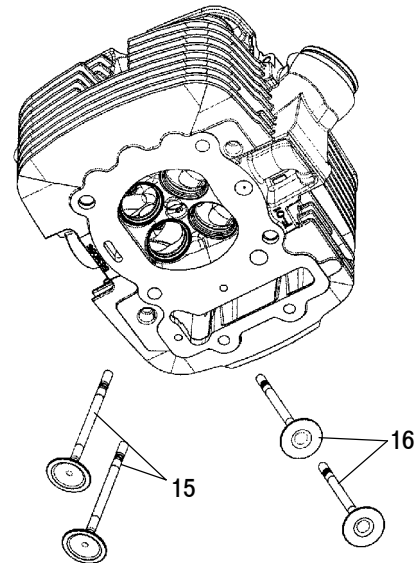
8/02

# VALVE TRAIN

CLASSIC CRUISER V03CB16CA and CLASSIC CRUISER V03CB16CB and CLASSIC CRUISER V03CB16CC and CLASSIC CRUISER V03CB16CD and CLASSIC CRUISER V03CB16DA and CLASSIC CRUISER V03CB16DB and CLASSIC CRUISER V03CB16DC and CLASSIC CRUISER V03CB16DD and CLASSIC CRUISER V03CB16LA and CLASSIC CRUISER V03CB16LB and CLASSIC CRUISER V03CB16LC and CLASSIC CRUISER V03CB16LD and CLASSIC CRUISER V03CB16UA and CLASSIC CRUISER V03CB16UB and CLASSIC CRUISER V03CB16UC and CLASSIC CRUISER V03CB16UD



© 2002 Polaris Sales Inc.



Part numbers may have changed since this microfiche was issued. To ensure that correct parts are received, refer to PartSmart, which is updated monthly.

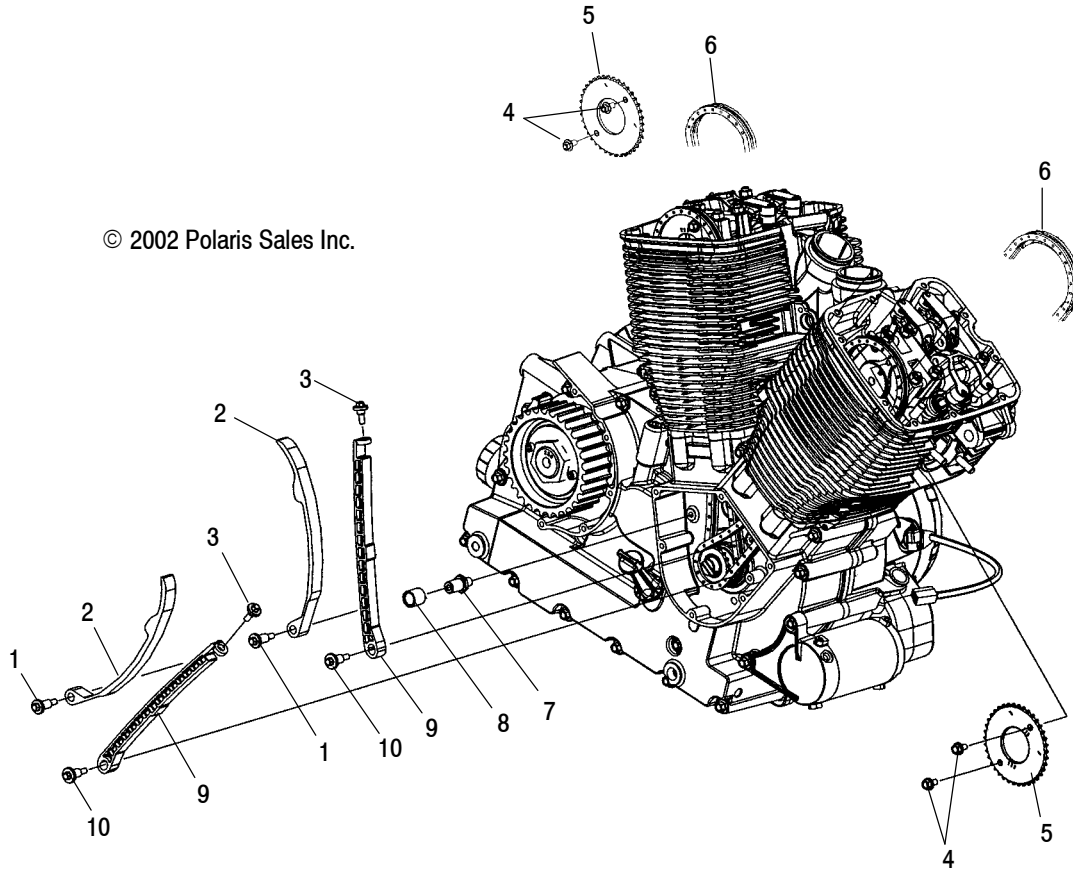
Ref.	Part No.	Qty.	Description
1	3021169	2	Asm., Rocker Arm, Exhaust
2	3021189	4	Asm., Rocker Shaft
3	5133625	2	Spacer, Rocker Arm
4	3021168	4	Asm., Rocker Arm Intake
5	7547080	12	Nut
6	7556211	12	Washer, Flat
7	3021162 3021166	1 1	Camshaft, Front Camshaft, Rear
8	5132593	12	Stud

Ref.	Part No.	Qty.	Description
9	3021177 3021178	1 1	Asm., Cam Carrier, Front Asm., Carrier, Rear
10	7663008	4	Dowel
11	7010081	16	Keeper, Valve
12	3021153	8	Cap, Valve
13	7041892	8	Spring, Valve
14	3610078	8	Seal, Valve Stem
15	3021151	4	Valve, Intake
16	3021357	4	Valve, Exhaust



# CAMCHAIN and TENSIONER

CLASSIC CRUISER V03CB16CA and CLASSIC CRUISER V03CB16CB and CLASSIC CRUISER V03CB16CC and CLASSIC CRUISER V03CB16CD and CLASSIC CRUISER V03CB16DA and CLASSIC CRUISER V03CB16DB and CLASSIC CRUISER V03CB16DC and CLASSIC CRUISER V03CB16DD and CLASSIC CRUISER V03CB16LA and CLASSIC CRUISER V03CB16LB and CLASSIC CRUISER V03CB16LC and CLASSIC CRUISER V03CB16LD and CLASSIC CRUISER V03CB16UA and CLASSIC CRUISER V03CB16UB and CLASSIC CRUISER V03CB16UC and CLASSIC CRUISER V03CB16UD



© 2002 Polaris Sales Inc.

Part numbers may have changed since this microfiche was issued. To ensure that correct parts are received, refer to PartSmart, which is updated monthly.

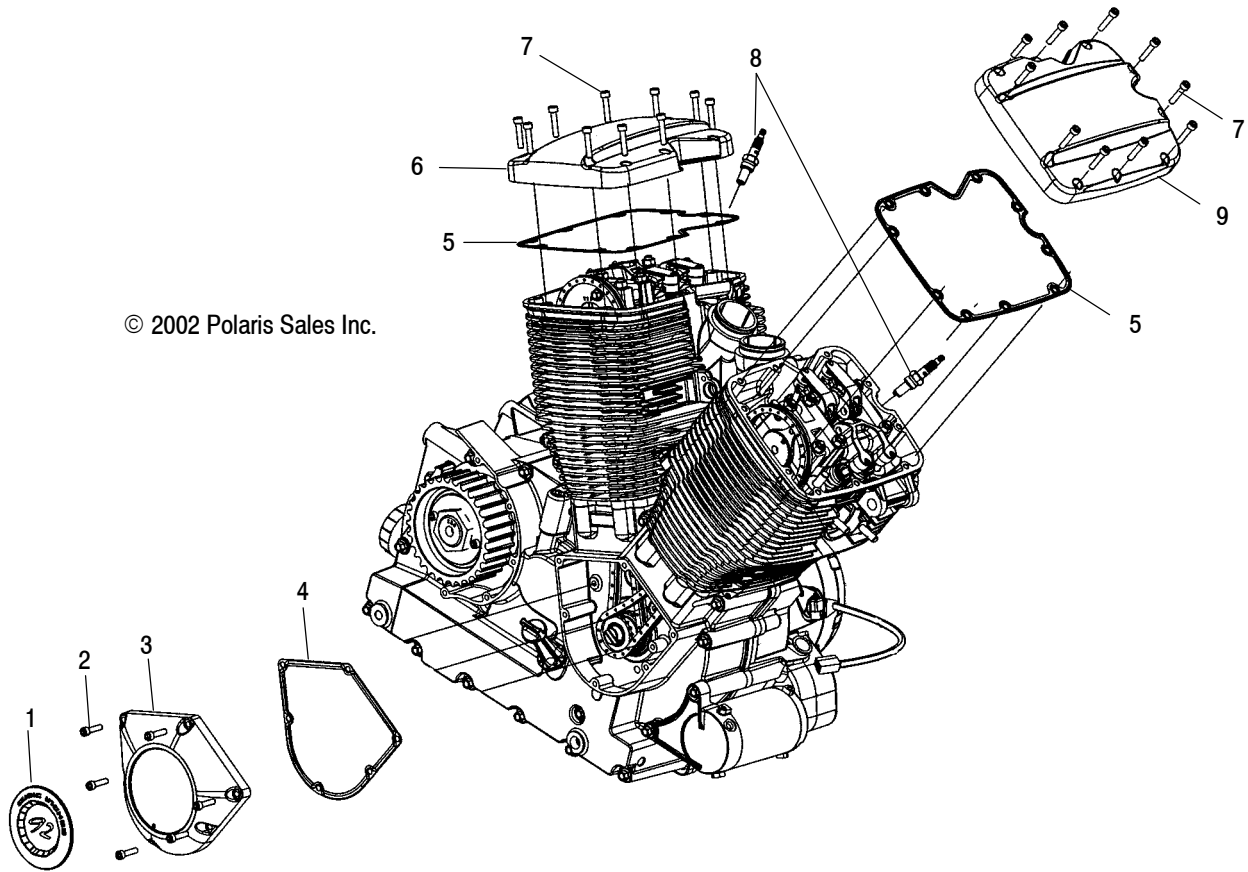
Ref.	Part No.	Qty.	Description
1	7517286	2	Bolt
2	3060009	2	Guide, Rotating Camchain
3	7516409	2	Bolt
4	7517257	4	Screw
5	3222091	2	Sprocket, 38T, Camshaft

Ref.	Part No.	Qty.	Description
6	3221145	2	Chain, Camshaft
7	5010430	1	Adaptor, Cam Chain Guide
8	3060011	1	Spacer
9	3060008	2	Guide, Fixed Camchain
10	7517271	2	Bolt

8/02

## CAM and VALVE COVERS

CLASSIC CRUISER V03CB16CA and CLASSIC CRUISER V03CB16CB and CLASSIC CRUISER V03CB16CC and CLASSIC CRUISER V03CB16CD and CLASSIC CRUISER V03CB16DA and CLASSIC CRUISER V03CB16DB and CLASSIC CRUISER V03CB16DC and CLASSIC CRUISER V03CB16DD and CLASSIC CRUISER V03CB16LA and CLASSIC CRUISER V03CB16LB and CLASSIC CRUISER V03CB16LC and CLASSIC CRUISER V03CB16LD and CLASSIC CRUISER V03CB16UA and CLASSIC CRUISER V03CB16UB and CLASSIC CRUISER V03CB16UC and CLASSIC CRUISER V03CB16UD



© 2002 Polaris Sales Inc.

Part numbers may have changed since this microfiche was issued. To ensure that correct parts are received, refer to PartSmart, which is updated monthly.

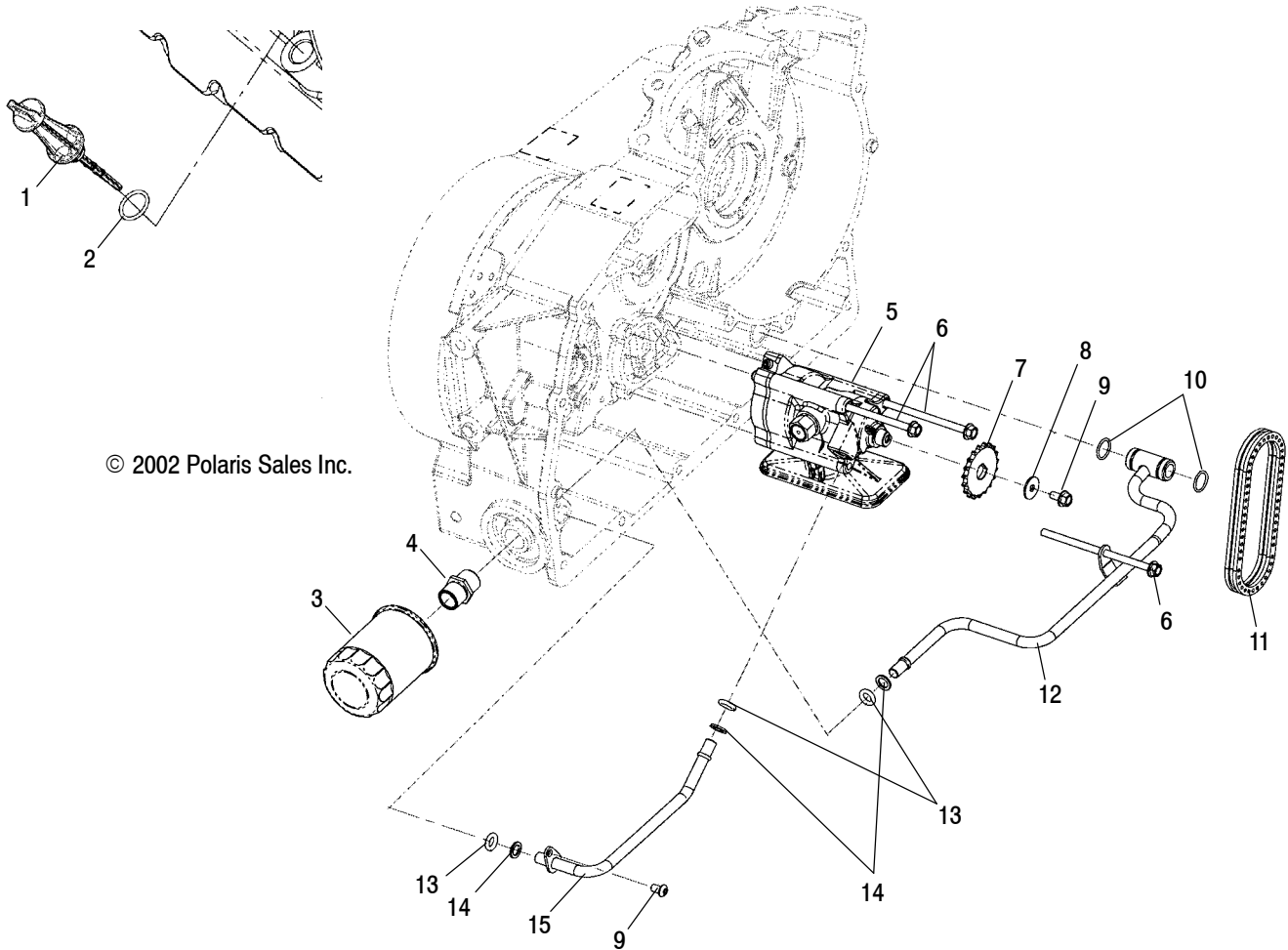
Ref.	Part No.	Qty.	Description
1	5245961	1	Cover, Cam Drive Cap
2	7517259	6	Screw
3	5133265	1	Cover, Cam Drive
4	5830224	1	Gasket, Cam Cover
5	5830202	2	Gasket, Valve Cover

Ref.	Part No.	Qty.	Description
6	5133857	1	Cover, Valve, Rear, Chrome
7	7517301	20	Screw
8	3070188	2	Plug, Spark, NGK CR7EB
9	5133858	1	Cover, Valve, Front, Chrome

9/02

# OIL PUMP MOUNTING

CLASSIC CRUISER V03CB16CA and CLASSIC CRUISER V03CB16CB and CLASSIC CRUISER V03CB16CC and CLASSIC CRUISER V03CB16CD and CLASSIC CRUISER V03CB16DA and CLASSIC CRUISER V03CB16DB and CLASSIC CRUISER V03CB16DC and CLASSIC CRUISER V03CB16DD and CLASSIC CRUISER V03CB16LA and CLASSIC CRUISER V03CB16LB and CLASSIC CRUISER V03CB16LC and CLASSIC CRUISER V03CB16LD and CLASSIC CRUISER V03CB16UA and CLASSIC CRUISER V03CB16UB and CLASSIC CRUISER V03CB16UC and CLASSIC CRUISER V03CB16UD



© 2002 Polaris Sales Inc.

Part numbers may have changed since this microfiche was issued. To ensure that correct parts are received, refer to PartSmart, which is updated monthly.

Ref.	Part No.	Qty.	Description
1	5434349	1	Dipstick, Oil Fill
2	5411331	1	O-Ring
3	2540086	1	Filter, Oil
4	2540115	1	Nipple
5	-----	1	Asm., Oil Pump (See Oil Pump Pg. D2 for Details)
6	7517256	3	Screw
7	3221082	1	Sprocket, 19T

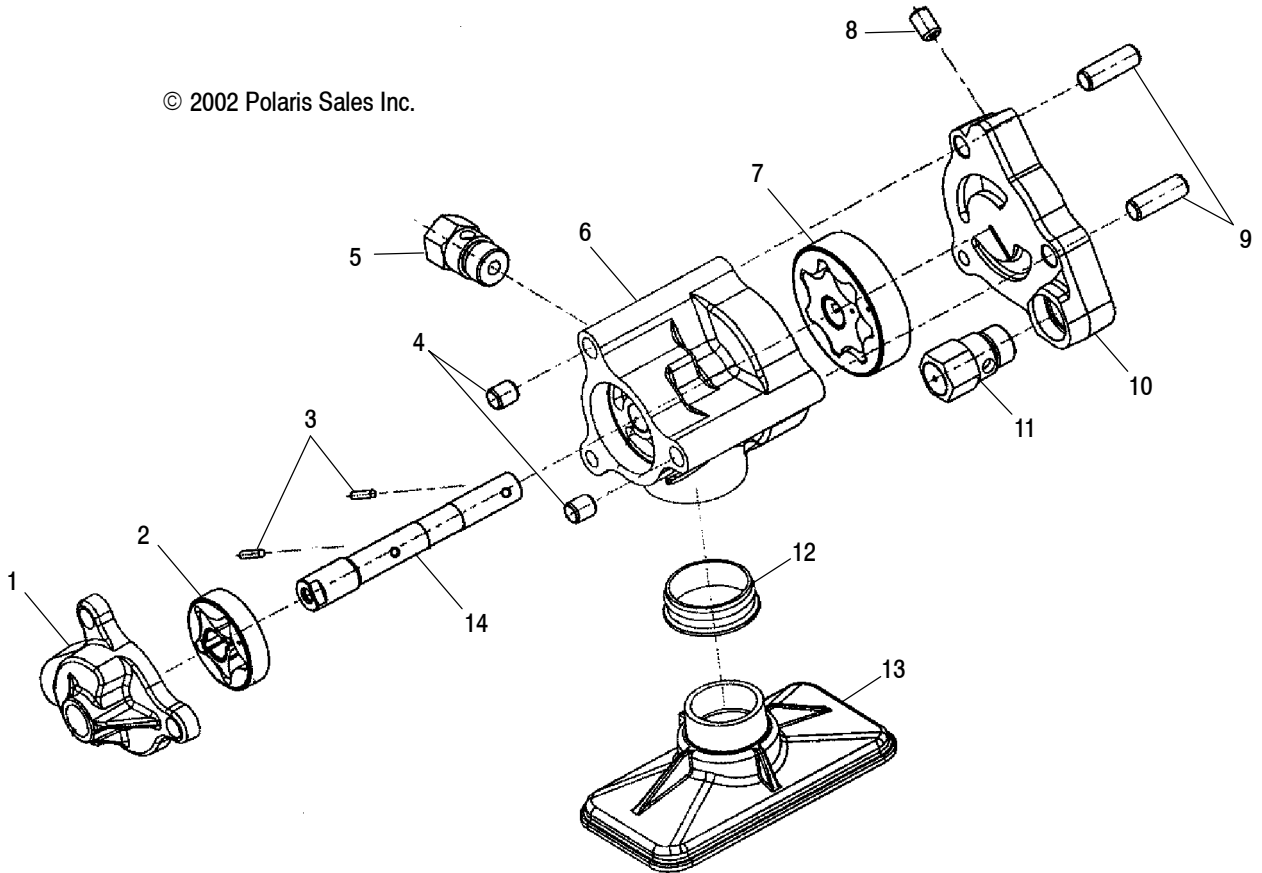
Ref.	Part No.	Qty.	Description
8	7556054	1	Washer, Flat
9	7517406	1	Screw
10	5412002	2	O-Ring
11	3221144	1	Chain
12	2540076	1	Tube, Oil, Filter/Crankcase
13	5411231	3	O-Ring
14	7556026	3	Washer
15	2540095	1	Tube, Oil, Outlet

9/02

# OIL PUMP

CLASSIC CRUISER V03CB16CA and CLASSIC CRUISER V03CB16CB and CLASSIC CRUISER V03CB16CC and CLASSIC CRUISER V03CB16CD and CLASSIC CRUISER V03CB16DA and CLASSIC CRUISER V03CB16DB and CLASSIC CRUISER V03CB16DC and CLASSIC CRUISER V03CB16DD and CLASSIC CRUISER V03CB16LA and CLASSIC CRUISER V03CB16LB and CLASSIC CRUISER V03CB16LC and CLASSIC CRUISER V03CB16LD and CLASSIC CRUISER V03CB16UA and CLASSIC CRUISER V03CB16UB and CLASSIC CRUISER V03CB16UC and CLASSIC CRUISER V03CB16UD

© 2002 Polaris Sales Inc.



Part numbers may have changed since this microfiche was issued. To ensure that correct parts are received, refer to PartSmart, which is updated monthly.

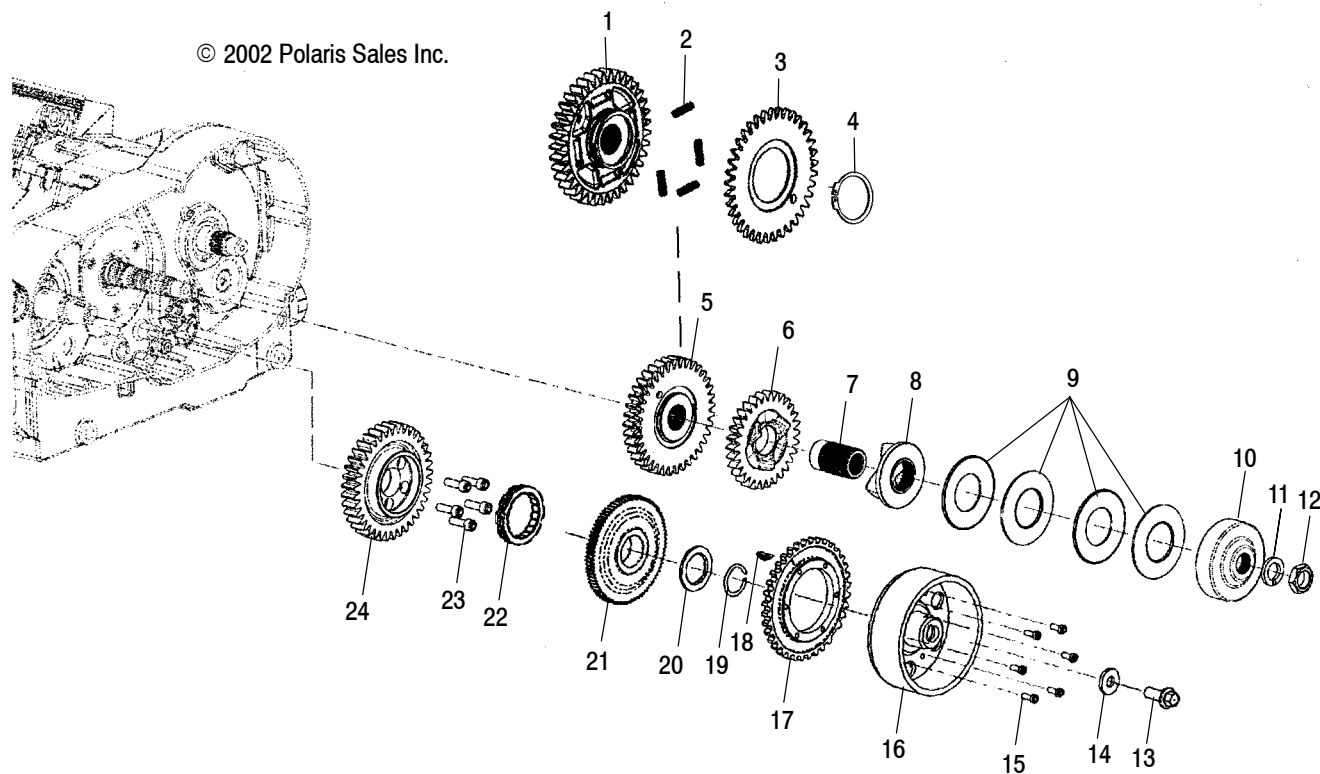
Ref.	Part No.	Qty.	Description
1	5133039	1	Cap, Oil Pump
2	2540091	1	Gerotor, Lubrication
3	7661123	2	Pin, Clevis
4	7663007	2	Dowel
5	2540088	1	Asm., Regulator Valve
6	5133043	1	Body, Pump
7	2540092	1	Gerotor, Cooling

Ref.	Part No.	Qty.	Description
8	2540080	1	Jet, Oil
9	7663014	2	Dowel
10	5133040	1	Base
11	2540096	1	Asm., Regulator Valve
12	3610081	1	Seal, Oil Inlet
13	2540090	1	Asm., Inlet Screen
14	2540089	1	Shaft, Oil Pump

10/01

## PRIMARY DRIVE

CLASSIC CRUISER V03CB16CA and CLASSIC CRUISER V03CB16CB and CLASSIC CRUISER V03CB16CC and CLASSIC CRUISER V03CB16CD and CLASSIC CRUISER V03CB16DA and CLASSIC CRUISER V03CB16DB and CLASSIC CRUISER V03CB16DC and CLASSIC CRUISER V03CB16DD and CLASSIC CRUISER V03CB16LA and CLASSIC CRUISER V03CB16LB and CLASSIC CRUISER V03CB16LC and CLASSIC CRUISER V03CB16LD and CLASSIC CRUISER V03CB16UA and CLASSIC CRUISER V03CB16UB and CLASSIC CRUISER V03CB16UC and CLASSIC CRUISER V03CB16UD



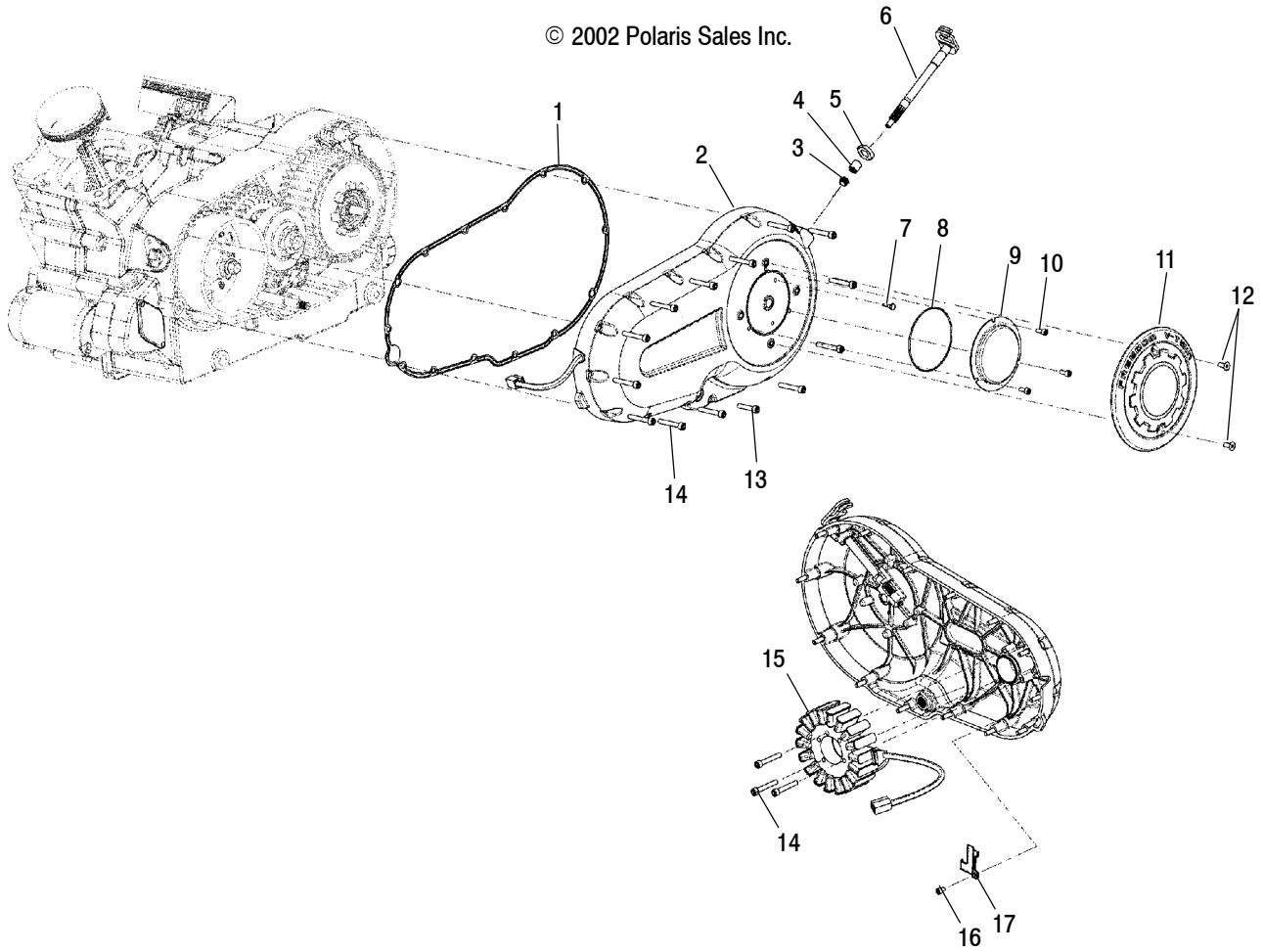
Part numbers may have changed since this microfiche was issued. To ensure that correct parts are received, refer to PartSmart, which is updated monthly.

Ref.	Part No.	Qty.	Description	Ref.	Part No.	Qty.	Description
1	6230238	1	Gear, Split, Drive	13	7518008	1	Bolt, Oil Jet
2	7042096	4	Spring, Split Gear	14	7556237	1	Washer, Flat
3	6230239	1	Gear, Split, Backlash	15	7517882	6	Screw
4	7710529	1	Ring, Retaining	16	3021211	1	Flywheel
5	1341414	1	Asm., Split Gear, 37T (Incl. 1-4)	17	3021197	1	Adaptor, Flywheel
6	6230212	1	Gear, Compensator	18	7721122	1	Key, Woodruff
7	5133045	1	Sleeve, Compensator	19	7710490	1	Ring, Retaining, 35 Degree
8	5133044	1	Slider, Compensator	20	7556237	1	Washer, Flat
9	7042019	4	Spring, Belleville Compensator	21	1013722	1	Asm., Crankshaft Gear Starter Drive
10	5133085	1	Retainer, Compensator	22	4060156	1	Clutch, Starter Drive
11	7556166	1	Washer, Split Lock	23	7517260	5	Screw
12	7547019	1	Nut	24	6230240	1	Gear, Crankshaft

# PRIMARY COVER

CLASSIC CRUISER V03CB16CA and CLASSIC CRUISER V03CB16CB and CLASSIC CRUISER V03CB16CC and CLASSIC CRUISER V03CB16CD and CLASSIC CRUISER V03CB16DA and CLASSIC CRUISER V03CB16DB and CLASSIC CRUISER V03CB16DC and CLASSIC CRUISER V03CB16DD and CLASSIC CRUISER V03CB16LA and CLASSIC CRUISER V03CB16LB and CLASSIC CRUISER V03CB16LC and CLASSIC CRUISER V03CB16LD and CLASSIC CRUISER V03CB16UA and CLASSIC CRUISER V03CB16UB and CLASSIC CRUISER V03CB16UC and CLASSIC CRUISER V03CB16UD

© 2002 Polaris Sales Inc.



Part numbers may have changed since this microfiche was issued. To ensure that correct parts are received, refer to PartSmart, which is updated monthly.

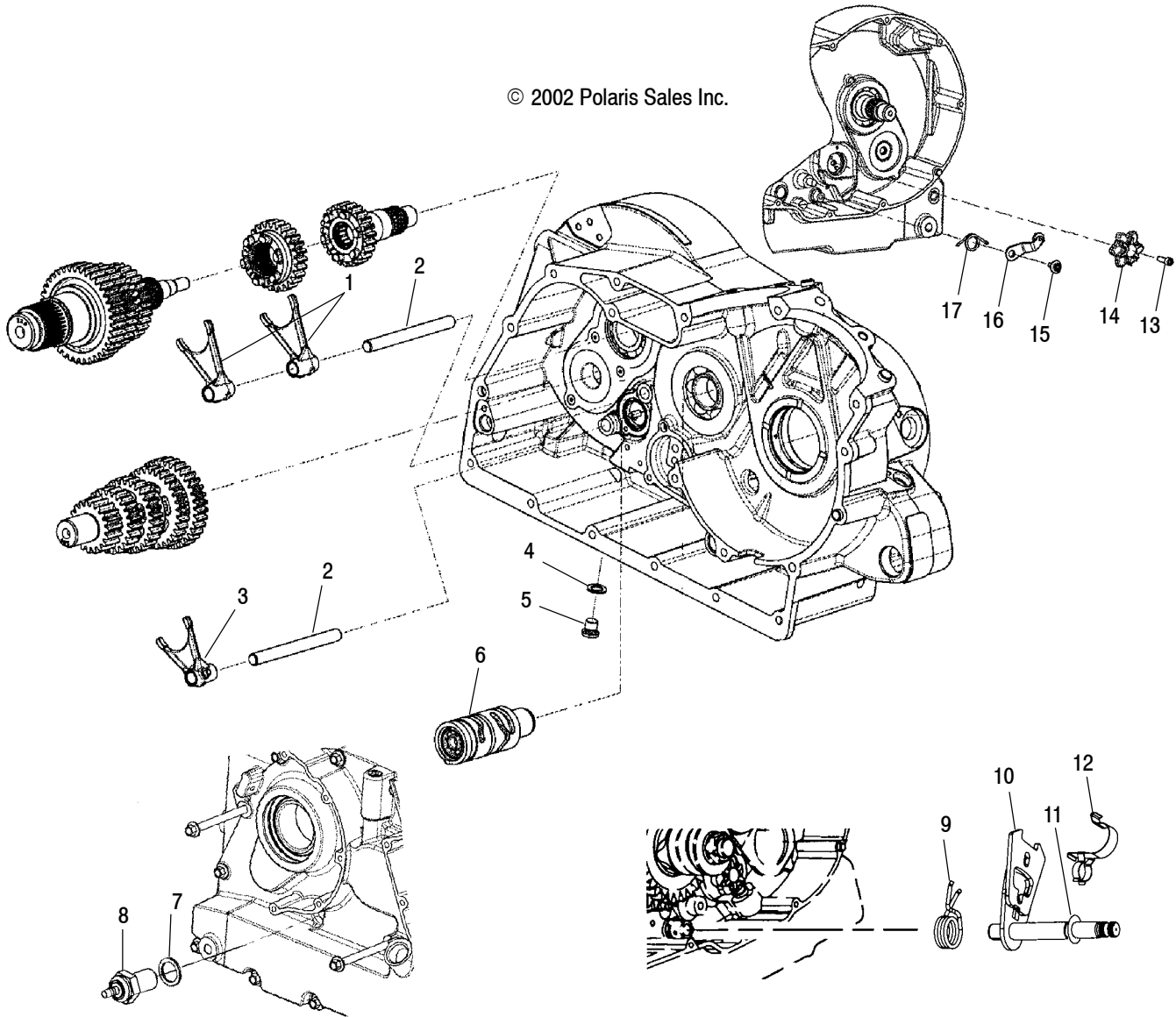
Ref. Part No.	Qty.	Description
		5830227 1 Kit, Gasket, Beaded Paper
1	1	5830223 1 Gasket, Primary Cover
2	1	3021305 1 Asm. Primary Cover, Chrome (Incl. 3,4,5)
3	1	3512106 1 Bearing, Needle
4	2	3552105 2 Bearing, Needle
5	2	3610059 2 Seal
6	1	1013770 1 Pinion, Clutch
7	1	7517499 1 Screw
8	1	5412230 1 O-Ring

Ref. Part No.	Qty.	Description
9	1	5246387 1 Plate, Cap Seal
10	3	7517483 3 Screw
11	1	5245960 1 Cover, Primary Cap, Chrome
12	2	7517754 2 Screw
13	1	7517301 1 Screw
14	16	7517261 16 Screw
15	1	4010436 1 Stator
16	1	7517515 1 Screw
17	1	5245036 1 Bracket, Stator Wire

# SHIFT FORKS/DRUM

CLASSIC CRUISER V03CB16CA and CLASSIC CRUISER V03CB16CB and CLASSIC CRUISER V03CB16CC and CLASSIC CRUISER V03CB16CD and CLASSIC CRUISER V03CB16DA and CLASSIC CRUISER V03CB16DB and CLASSIC CRUISER V03CB16DC and CLASSIC CRUISER V03CB16DD and CLASSIC CRUISER V03CB16LA and CLASSIC CRUISER V03CB16LB and CLASSIC CRUISER V03CB16LC and CLASSIC CRUISER V03CB16LD and CLASSIC CRUISER V03CB16UA and CLASSIC CRUISER V03CB16UB and CLASSIC CRUISER V03CB16UC and CLASSIC CRUISER V03CB16UD

© 2002 Polaris Sales Inc.



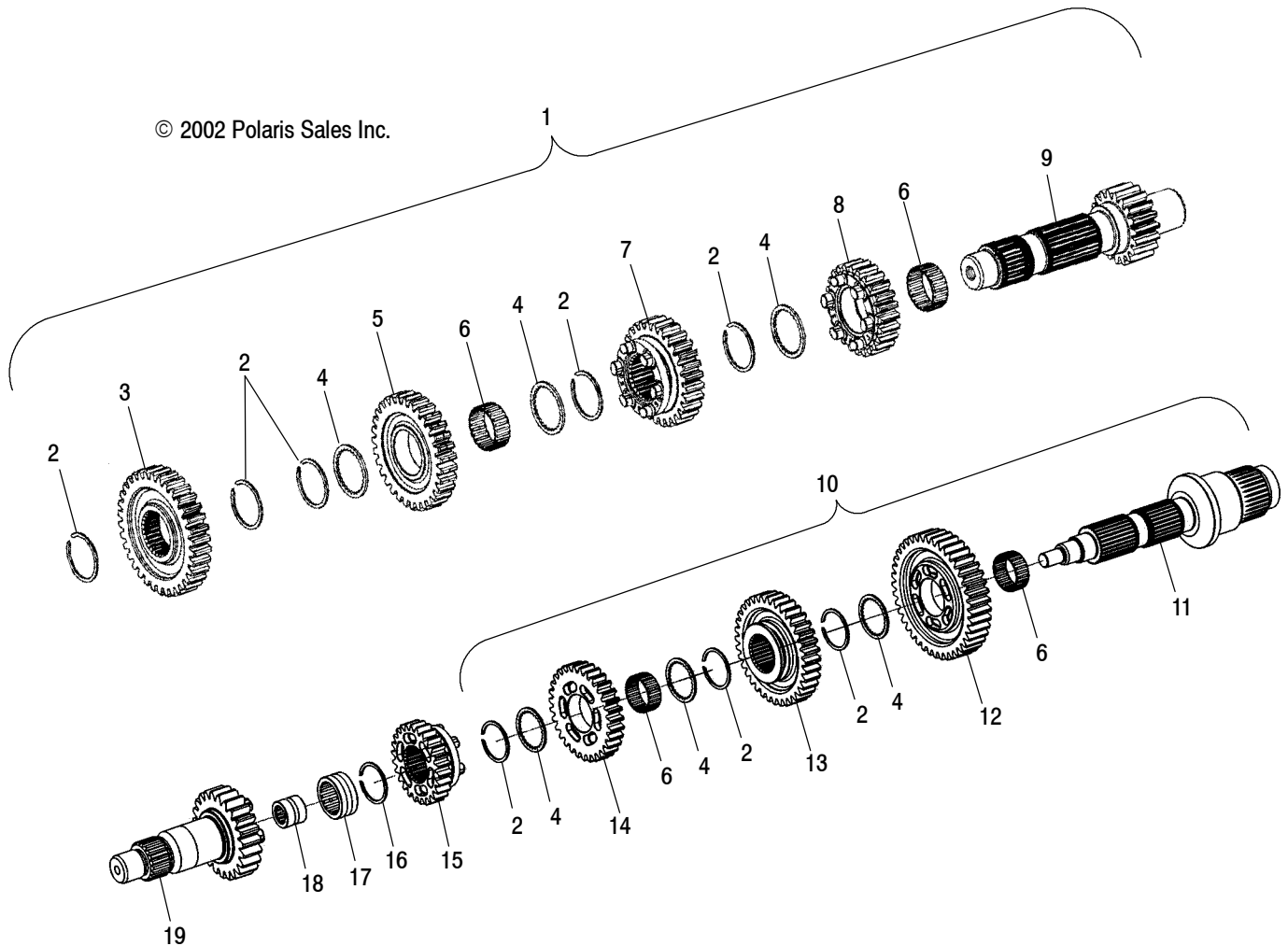
Part numbers may have changed since this microfiche was issued. To ensure that correct parts are received, refer to PartSmart, which is updated monthly.

Ref.	Part No.	Qty.	Description
1	5133255	2	Fork, Shift, Mainshaft
2	5132177	2	Rail, Shift
3	5133256	1	Fork, Shift, Countershaft
4	5812232	1	Washer, Copper
5	7052306	1	Plug, Socket
6	1341415	1	Asm., Shifter Drum (Incl. Bearing, Drum, Pins)
	3513518	1	Bearing, Ball
	7661023	2	Pin, Solid
7	7556154	1	Washer, Flat
8	-----	1	Switch, Neutral Indicator (See Electrical Pg. C1, Ref. 1)

Ref.	Part No.	Qty.	Description
9	7041583	1	Spring
10	1341416	1	Asm., Shifter Ratchet (Incl. 9)
11	7710534	1	Ring, Retaining
12	7041869	1	Spring
13	7517384	1	Screw
14	5133254	1	Star, Shifter
15	7517965	1	Screw
16	1341402	1	Asm., Roller Follower
17	7042087	1	Spring, Tension

# TRANSMISSION

CLASSIC CRUISER V03CB16CA and CLASSIC CRUISER V03CB16CB and CLASSIC CRUISER V03CB16CC and CLASSIC CRUISER V03CB16CD and CLASSIC CRUISER V03CB16DA and CLASSIC CRUISER V03CB16DB and CLASSIC CRUISER V03CB16DC and CLASSIC CRUISER V03CB16DD and CLASSIC CRUISER V03CB16LA and CLASSIC CRUISER V03CB16LB and CLASSIC CRUISER V03CB16LC and CLASSIC CRUISER V03CB16LD and CLASSIC CRUISER V03CB16UA and CLASSIC CRUISER V03CB16UB and CLASSIC CRUISER V03CB16UC and CLASSIC CRUISER V03CB16UD



Part numbers may have changed since this microfiche was issued. To ensure that correct parts are received, refer to PartSmart, which is updated monthly.

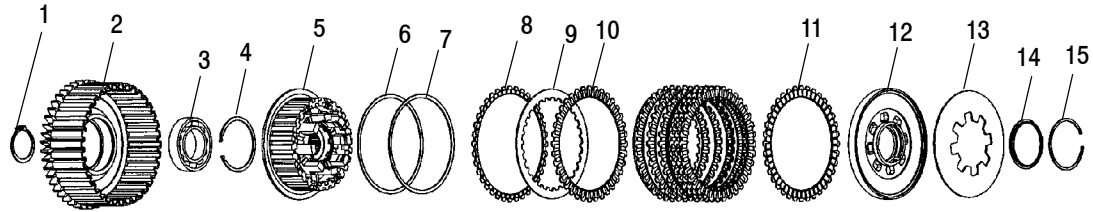
Ref.	Part No.	Qty.	Description
1	1341452	1	Asm., Countershaft (Incl. 2-9)
2	7710525	8	Ring, Retaining
3	6230234	1	Gear, Common, Countershaft, 34T
4	5246272	6	Washer, Thrust
5	6230264	1	Gear, 4th Countershaft, 31T
6	3584006	4	Bearing, Roller
7	6230263	1	Gear, Countershaft, 3rd, 28T
8	6230257	1	Gear 2nd Countershaft, 24T
9	6230259	1	Shaft, Counter
10	1341451	1	Asm., Mainshaft (Incl. 2,4,6,11-14)

Ref.	Part No.	Qty.	Description
11	6230228	1	Shaft, Main
12	6230260	1	Gear, 1st Mainshaft, 38T
13	6230258	1	Gear, 2nd Mainshaft, 33T
14	6230261	2	Gear, 3rd Mainshaft, 29T
15	6230262	1	Gear, 4th Mainshaft, 26T
16	7710535	1	Ring, Retaining
17	3514401	1	Bearing, Roller
18	3514359	1	Bearing, Needle
19	1341411	1	Asm., Clutchshaft, 5th (Incl. 17,18)

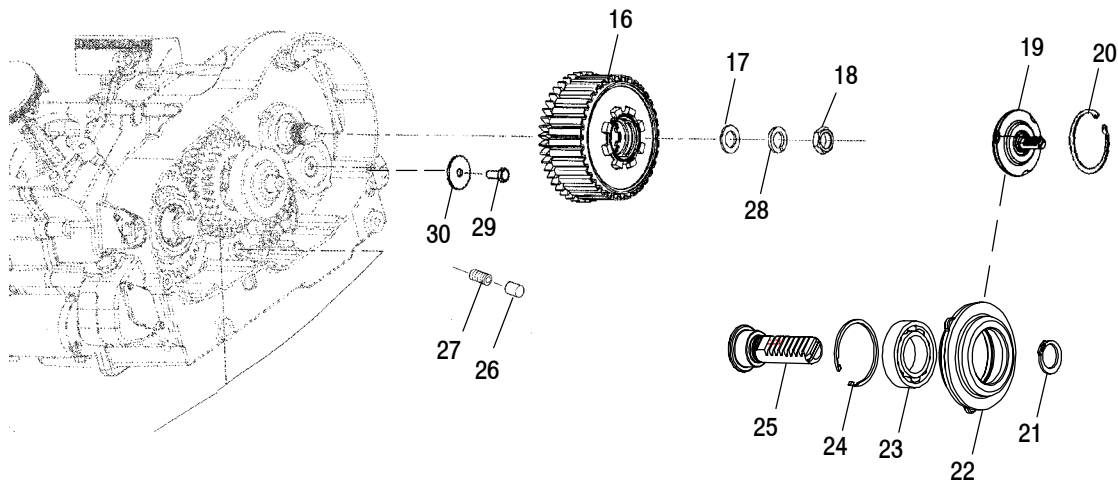


# DRIVE CLUTCH

CLASSIC CRUISER V03CB16CA and CLASSIC CRUISER V03CB16CB and CLASSIC CRUISER V03CB16CC and CLASSIC CRUISER V03CB16CD and CLASSIC CRUISER V03CB16DA and CLASSIC CRUISER V03CB16DB and CLASSIC CRUISER V03CB16DC and CLASSIC CRUISER V03CB16DD and CLASSIC CRUISER V03CB16LA and CLASSIC CRUISER V03CB16LB and CLASSIC CRUISER V03CB16LC and CLASSIC CRUISER V03CB16LD and CLASSIC CRUISER V03CB16UA and CLASSIC CRUISER V03CB16UB and CLASSIC CRUISER V03CB16UC and CLASSIC CRUISER V03CB16UD



© 2002 Polaris Sales Inc.



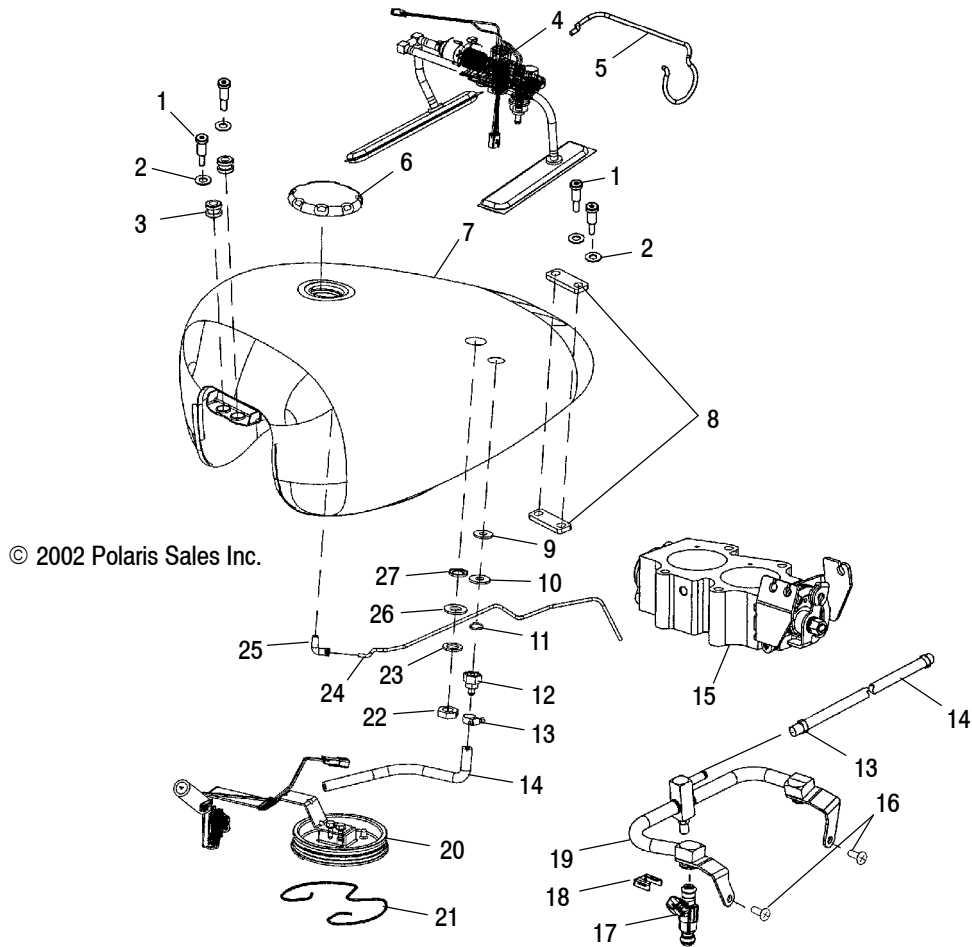
Part numbers may have changed since this microfiche was issued. To ensure that correct parts are received, refer to PartSmart, which is updated monthly.

Ref.	Part No.	Qty.	Description
1	7670122	1	Clip, External
2	1341438	1	Asm., Gear/Basket
3	3514358	1	Bearing, Ball
4	7670123	1	Circlip, Internal
5	5133313	1	Hub, Clutch
6	5246074	1	Seat, Judder Spring
7	7042123	1	Spring, Diaphragm, Judder
8	5246077	1	Plate, Friction Judder
9	3230546	9	Plate, Separator
10	5246481	8	Plate, Friction
11	3230545	1	Plate, Friction Clutch
12	5132703	1	Plate, Pressure
13	7042099	1	Spring, Clutch, Diaphragm
14	7710510	1	Ring, Snap
15	7670124	1	Circlip, Internal

Ref.	Part No.	Qty.	Description
16	1322061	1	Asm., Clutch
	1321899	1	Asm., Clutch Pack (Incl. 9,10,11)
17	5131658	1	Washer
18	7547019	1	Nut
19	1341427	1	Asm., Rack Insert (Incl. 22,23,24)
20	7710506	1	Circlip
21	7710532	1	Ring, Retaining
22	5132553	1	Insert, Pressure Plate
23	3514356	1	Bearing, Ball
24	7670128	1	Circlip, Internal
25	6230245	1	Rack, Clutch
26	7051528	1	Plug
27	7517449	1	Screw, Set
28	7556166	1	Washer, Lock
29	7517587	1	Screw
30	7556139	1	Washer, Flat

# FUEL SYSTEM

CLASSIC CRUISER V03CB16CA and CLASSIC CRUISER V03CB16CB and CLASSIC CRUISER V03CB16CC and CLASSIC CRUISER V03CB16CD and CLASSIC CRUISER V03CB16DA and CLASSIC CRUISER V03CB16DB and CLASSIC CRUISER V03CB16DC and CLASSIC CRUISER V03CB16DD and CLASSIC CRUISER V03CB16LA and CLASSIC CRUISER V03CB16LB and CLASSIC CRUISER V03CB16LC and CLASSIC CRUISER V03CB16LD and CLASSIC CRUISER V03CB16UA and CLASSIC CRUISER V03CB16UB and CLASSIC CRUISER V03CB16UC and CLASSIC CRUISER V03CB16UD



© 2002 Polaris Sales Inc.

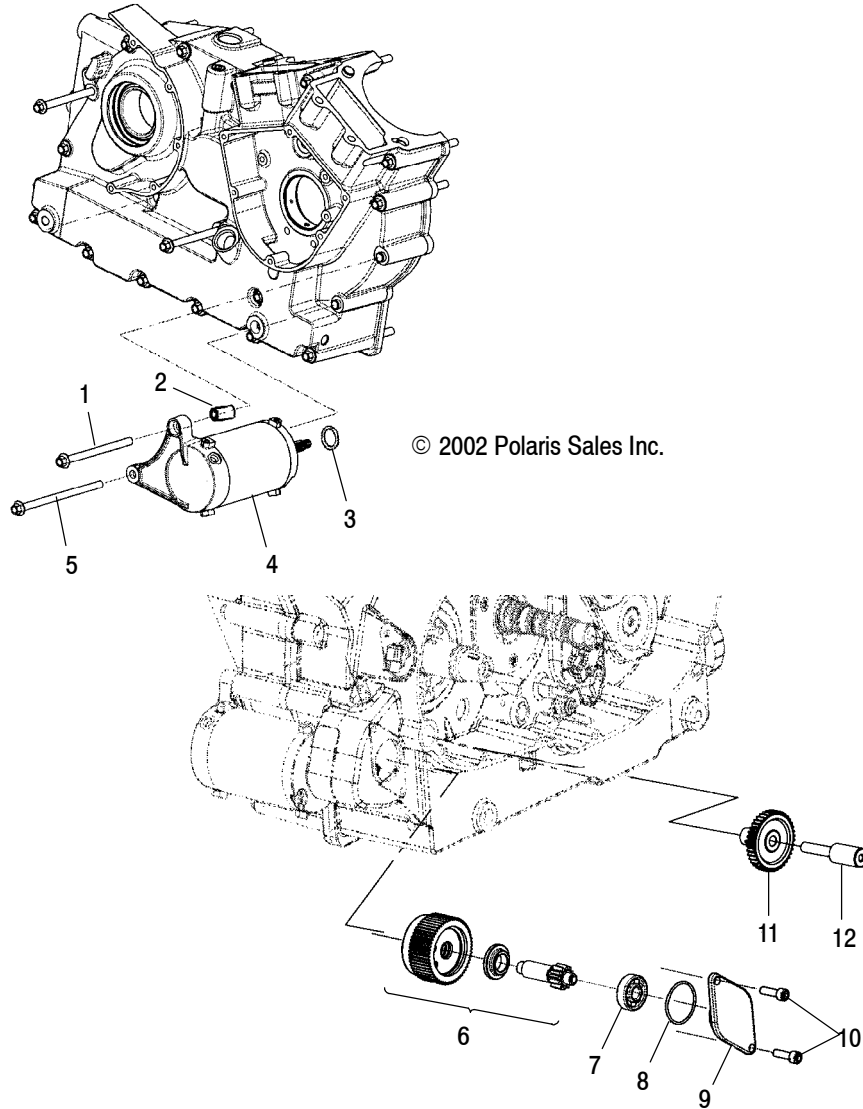
Part numbers may have changed since this microfiche was issued. To ensure that correct parts are received, refer to PartSmart, which is updated monthly.

Ref. Part No.	Qty.	Description
1	4	Screw, Socket Head
2	6	Washer, Flat
3	2	Grommet, Rubber, Front
4	1	Pump, Fuel (Incl. 9-12,22,23,26,27)
	1	Filter, Fuel Line, Internal
5	1	Clip, Retainer, Fuel Pump
6	1	Cap, Fuel
7	1	Tank, Fuel, Black
	1	Tank, Fuel, Solar Red
	1	Tank, Fuel, Yellow
	1	Tank, Fuel, Sonic Blue
	1	Tank, Fuel, Flame
	1	Tank, Fuel, Blue/Silver
	1	Tank, Fuel, Red/Silver
	1	Tank, Fuel, Yellow/Black
	1	Tank, Fuel, Turquoise/White
8	2	Pad, Tank Mount, Rear
9	1	Grommet
10	1	Washer
11	1	O-Ring

Ref. Part No.	Qty.	Description
12	1	Fitting
13	6	Clamp, Hose
14	1	Hose
15	1	Asm., Throttle Body
	1	Cap, Fitting
16	2	Screw
17	2	Injector, Fuel
	4	O-Ring
18	2	Clip, Injector Clocking
19	1	Asm., Fuel Rail
20	1	Sender, Fuel Level
	1	O-Ring
21	1	Ring, Retaining
22	1	Nut
23	1	Washer
24	1	Line, Vent
25	1	Elbow, Vent Line
26	1	Washer
27	1	Grommet

# STARTER MOTOR

CLASSIC CRUISER V03CB16CA and CLASSIC CRUISER V03CB16CB and CLASSIC CRUISER V03CB16CC and CLASSIC CRUISER V03CB16CD and CLASSIC CRUISER V03CB16DA and CLASSIC CRUISER V03CB16DB and CLASSIC CRUISER V03CB16DC and CLASSIC CRUISER V03CB16DD and CLASSIC CRUISER V03CB16LA and CLASSIC CRUISER V03CB16LB and CLASSIC CRUISER V03CB16LC and CLASSIC CRUISER V03CB16LD and CLASSIC CRUISER V03CB16UA and CLASSIC CRUISER V03CB16UB and CLASSIC CRUISER V03CB16UC and CLASSIC CRUISER V03CB16UD



© 2002 Polaris Sales Inc.

Part numbers may have changed since this microfiche was issued. To ensure that correct parts are received, refer to PartSmart, which is updated monthly.

Ref.	Part No.	Qty.	Description
1	7517409	1	Screw
2	7663005	2	Dowel
3	5412175	1	O-Ring
4	4060155 4010574	1 1	Starter Starter, Silver
5	7517719	1	Screw
6	3230544	1	Clutch, Torque Limiting

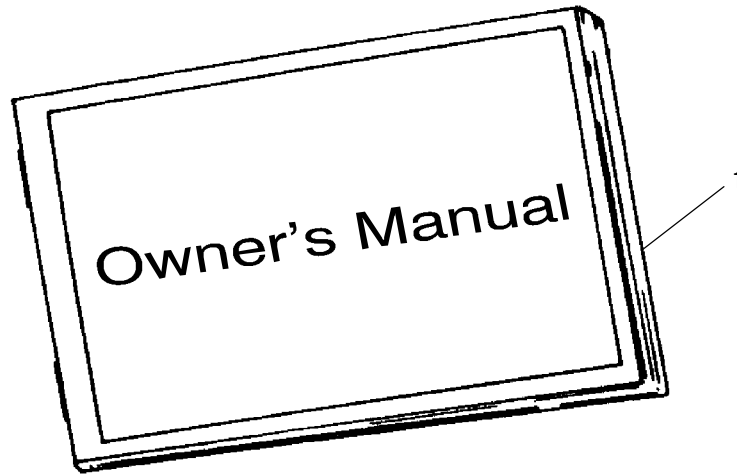
Ref.	Part No.	Qty.	Description
7	3513518	1	Bearing, Ball
8	5412292	1	O-Ring
9	5132276 5133119	1 1	Cap, Bearing Cap, Bearing, Silver
10	7517272	2	Screw
11	6230246	1	Gear, Idler
12	5020905	1	Shaft, Idler, Mounting

3/03

# OWNER'S MANUAL

CLASSIC CRUISER V03CB16CA and CLASSIC CRUISER V03CB16CB and CLASSIC CRUISER V03CB16CC and CLASSIC CRUISER V03CB16CD and CLASSIC CRUISER V03CB16DA and CLASSIC CRUISER V03CB16DB and CLASSIC CRUISER V03CB16DC and CLASSIC CRUISER V03CB16DD and CLASSIC CRUISER V03CB16LA and CLASSIC CRUISER V03CB16LB and CLASSIC CRUISER V03CB16LC and CLASSIC CRUISER V03CB16LD and CLASSIC CRUISER V03CB16UA and CLASSIC CRUISER V03CB16UB and CLASSIC CRUISER V03CB16UC and CLASSIC CRUISER V03CB16UD

© 2002 Polaris Sales Inc.



Part numbers may have changed since this microfiche was issued. To ensure that correct parts are received, refer to PartSmart, which is updated monthly.

Ref. Part No.	Qty.	Description
1 9918229	1	Manual, Owner's, '03 Classic/Touring Cruisers
9918230	1	Manual, Owner's, '03 Classic/Touring, CND

Ref. Part No.	Qty.	Description
---------------	------	-------------



PRINTED IN THE USA

PARTS MANUAL PN 9918364 and MICROFICHE PN 9918978 3/03

# Changed pages in 9918364

	1	2	3	4	5	6	7	8	9	10	11	12	13	14
A	cover	toc							x					
B														
C								x		x		x		
D					x		x							
E														
F														
G														
	1	2	3	4	5	6	7	8	9	10	11	12	13	14